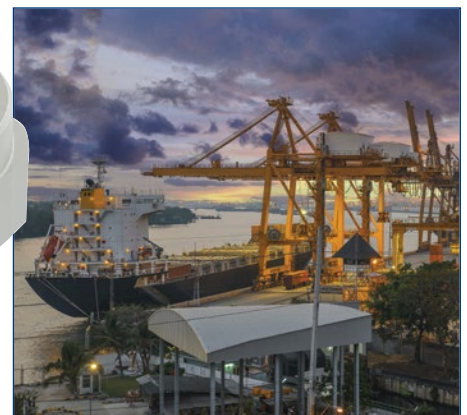


NEMA Wiring Devices

Rugged Connectors for Extreme Environments

rhino-hide[®]



Features & Benefits

- Submersible, watertight, and dust-tight for outdoor and other wet environments; rated to NEMA Enclosure Type 3R, 4, 4X, 6, 6P, 12, 13 and IP66/IP67/IP68/IP69K (high-pressure steam cleaning); ABS certified - suitable for marine environments
- Threaded connections make these devices ideal in high-vibration environments such as oil-drilling and mining operations
- Coated aluminum components provide superior corrosion resistance to bare aluminum, especially in salt-air environments, which extends service life of the device and facilitates easier installation and removal of threaded components
- Nickel-plated brass electrical contacts provide superior electrical performance and corrosion resistance for extended service life
- Devices are compatible with other manufacturers' devices as well as standard NEMA configured devices
- Available in seven voltage/amperage configurations



Receptacles

- The only submersible receptacle in its class!
- Industry exclusive self-closing cover automatically seals receptacle when not in use - cover cannot be lost or left off
- Industry exclusive integral hasp provides OSHA lockout/tagout capabilities for added safety
- Wire pigtails make it faster and easier to install
- Mounts to common FS/FD cast device boxes
- Black oxide coated stainless steel assembly screws prevent corrosion from exposure and galvanic activity between screws and receptacle flange

Applications

Physically demanding environments that suffer from exposure to weather, chemicals, vibration, and physical strain, including:

- Oil Drilling Rigs
- Mining Operations
- Shore Power
- Wind Power Turbines
- Construction Sites



Plugs & Connectors

- Plugs and connectors are submersible when mated or with protective cap installed (connector only)
- High-performance TPV components withstand extreme temperatures, are UV stabilized and resistant to water, oils, and other chemicals
- Industry exclusive variable adjust, watertight strain relief system speeds assembly and provides more reliable performance than conventional rubber boot type systems
- Machined aluminum components are hard anodized to prevent corrosion and pitting
- Stainless steel assembly hardware resists corrosion
- Coated wire rope cover lanyard on connector is more durable than conventional beaded chain type lanyards, minimizing the chances of lost covers that result in damage from exposure to the elements
- Available with black or yellow bodies



Ordering Information

Description					Catalog Number		
Amp	Volt	NEMA Configuration	Blade Type	Body Color	Plug*	Connector*	Receptacle
15	125	5-15	Straight	Black	LNR80-1E	LNR86-1E	LNR96-1
		L5-15	Locking	Black	LNR80-5E	LNR86-5E	LNR96-5
	250	6-15	Straight	Black	LNR80-2E	LNR86-2E	LNR96-2
		L6-15	Locking	Black	LNR80-6E	LNR86-6E	LNR96-6
	277	L7-15	Locking	Black	LNR80-7E	LNR86-7E	LNR96-7
20	125	5-20	Straight	Black	LNR80-3E	LNR86-3E	LNR96-3
	250	6-20	Straight	Black	LNR80-4E	LNR86-4E	LNR96-4

* To order yellow bodied plugs and connectors, replace "E" at end of catalog number with "Y".

Feature Comparison

Superior Corrosion Resistance

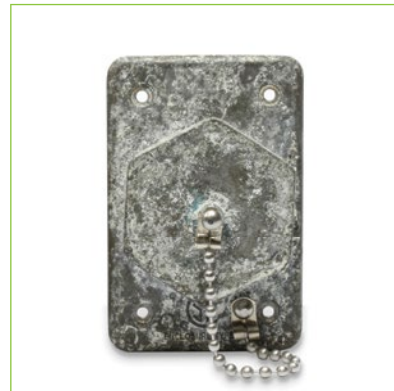
Receptacle housing constructed of a patented corrosion resistant alloy with high-performance coating that provides superior corrosion resistance, even in the most corrosive environments.

Receptacle mounting screws are stainless steel with a black oxide coating that resists galvanic corrosion.

rhino-hide



Competitive Brand



Images shown after parts subjected to 200 hour salt spray test

Added Convenience Features

Receptacles feature a self-closing lid that enables much quicker connection, and automatically seals when not-in-use. Plus, you'll never need to worry about broken lanyards and lost covers.

The receptacles also feature prewired pigtails, making installation quicker and easier.

rhino-hide



Competitive Brand



True Watertight Ratings

Rhino-Hide NEMA wiring devices are the only connectors in this class to carry a true watertight/submersible rating, making them suitable for the wettest environments, including those where plugs and connectors may be subject to immersion in mud or water.

The high-performance TPV material used in plugs and connectors offers superior resistance (as compared with ordinary rubber) to water, chemicals and UV exposure for long-lasting performance.

KEY TO IMAGES AT IMMEDIATE RIGHT:

rhino-hide

- A) TPV bushing provides watertight seal
- B) Self-adjusting clamp provides maximum cable security
- C) Cable sealing system provides watertight/submersible performance for a wide range of cable sizes

Competitor

- D) Rubber wiper type seal does not provide true watertight protection

The clear winner is rhino-hide!

rhino-hide

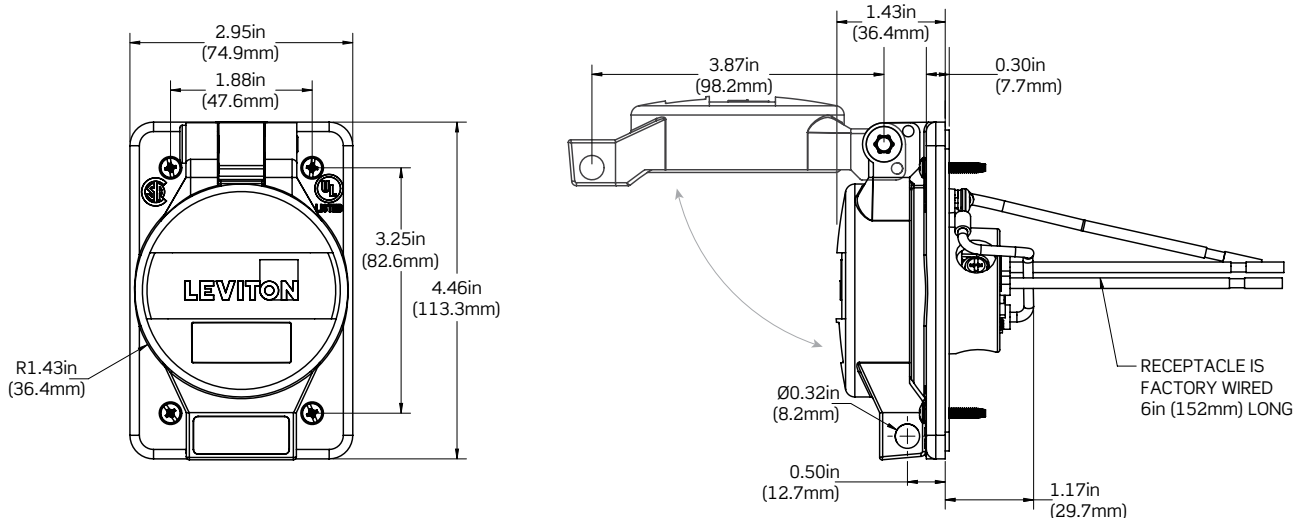


Competitive Brand

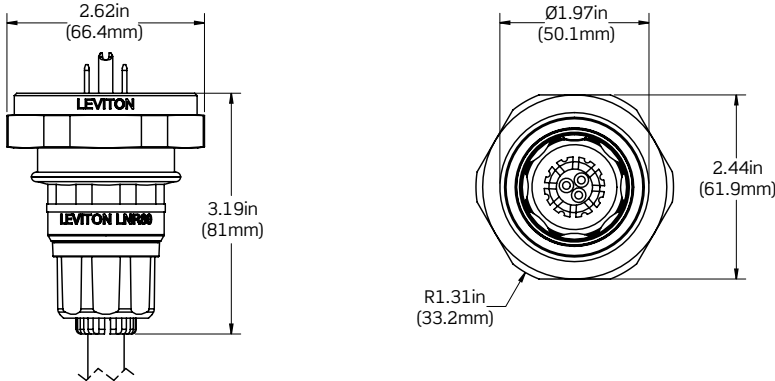


Dimensional Diagrams

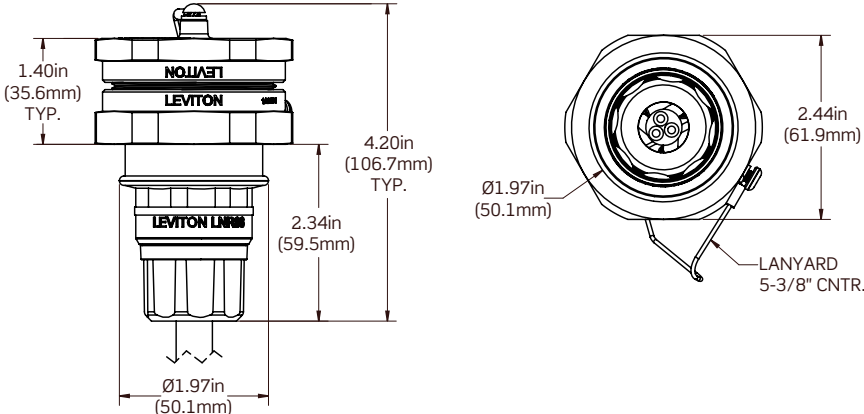
Receptacles



Plugs



Connectors



Specifications

Electrical Specifications		
Dielectric Voltage	Withstands 2000V per UL 498	
Current Limiting	Full rated current	
Temperature Rise	Max 30°C after 250 cycles overload at 200% of rated current	
Environmental Specifications		
Operating Temperature	-40°C to 60°C	
Enclosure Ratings	Plugs	UL50E Type 3R, 4, 4X, 6, 6P, 12, 13, IP66/IP67/IP68/IP69K When Mated To Leviton LNR86/LNR96
	Connectors	UL50E Type 3R, 4, 4X, 6, 6P, 12, 13, IP66/IP67/IP68/IP69K Cover Closed Or Mated To Leviton LNR80
	Receptacles	UL50E Type 3R, 4, 4X, 6, 6P, 12, 13, IP66/IP67/IP68 Cover Closed Or Mated To Leviton LNR80, IP69K Mated To Leviton LNR80
Material Specifications		
Plug and Connector		
Husk	High-performance TPV	
Body	Nylon	
Wiring Module	Nylon	
Strain Relief System	Compression Nut	Nylon
	Strain Relief Clamp	Nylon
	Bushing	High-performance TPV
Blades/Contacts, Terminal Clamps	Electroless Nickel-coated Brass	
Terminal Screws	Electroless Nickel-coated Brass	
Assembly Screws	Stainless Steel, Non-magnetic	
Threaded Collar	Hard Anodized Aluminum	
Cover (Connector)	Hard Anodized Aluminum	
Cover Lanyard	Thermoplastic Coated Steel Cable	
Receptacles		
Receptacle Housing	Patented Aluminum Alloy with High-Performance Anti-corrosive Coating	
Wiring Module	Nylon	
Contacts and Terminal Clamps and Screws	Electroless Nickel-Coated Brass	
Assembly Screws	Black Oxidized Stainless Steel	
Mechanical Specifications		
Terminal Accommodation	15 Amp	#18 AWG to #10 AWG
	20 Amp	#16 AWG to #10 AWG
Product ID	Ratings and NEMA ID permanently marked on device	
Cord Grip Range (in)	.375 - .670 diameter	
Standards & Certifications		
NEMA	WD-6	
ANSI	C-73	
UL	498	
CSA	C22.2 No. 42	
NOM-ANCE		
American Bureau of Shipping (ABS)		
Warranty		
Product Warranty	Limited Lifetime	

Visit our Website at:
www.leviton.com/rhinohide
 email: industrial@leviton.com

Q-931-1

Leviton Manufacturing Co., Inc.

201 N Service Rd, Melville, NY 11747
 Telephone: 1-800-323-8920 • FAX: 1-800-832-9538
 Tech Line (8:30AM-7:30PM E.S.T. Monday-Friday): 1-800-824-3005

© 2015 Leviton Manufacturing Co., Inc. All rights reserved.

032715

