

ODC Series Vacancy Sensors



DESCRIPTION

The Leviton ODC Series combines line voltage vacancy sensors into a self-contained unit. The integrated design alleviates the need for separate power pack and vacancy sensor wiring making it a low-cost, efficient energy solution for new construction and retrofits. Vacancy timers continually analyze and adjust to changing conditions using the latest microprocessor-based technology to optimize performance. Manual ON/Auto OFF- requires lights to be manually turned ON and will automatically turn lights OFF when no occupancy is detected. Wire terminals allow for simple connection to a line-voltage circuit and are ideal for existing buildings with limited access to wiring and new construction.

APPLICATIONS

- CA Title 20 Compliant Vacancy Sensor
- Manual-ON/Auto-OFF

FEATURES

- Auto-Adapting: Time delay and sensitivity are continually adjusted to occupancy pattern of use
- Configurable for Manual ON/Auto OFF
- Vacancy Sensing Time Outs:
- Delayed OFF Timer: The sensor will turn lights OFF if no motion is detected after a specified time
- Exclusive Walk-through Feature: Provides increased energy savings by not leaving the lights ON for an extended period after only momentary occupancy
- False Detection Timer: (PIR) The PIR scans for movement and shuts lights off after 31 minutes preventing false triggers from HVAC systems

- Time delay and saved settings are protected during power outages and will return to the last known state
- Output short circuit protection
- Industry-exclusive self-configuring local manual switch input: Momentary or maintained switches are supported
- Adjustable Time Delay: 30s, 5min, 10min, 20min, 30min
- Test Mode for simplified commissioning
- Manual Switch and Emergency Override are Class 1 or Class 2 circuits. Class 2 circuits provided for flexibility
- Industry-exclusive “fail-safe” circuitry: In the event of product failure, Return-to-Closed feature causes the relay to default ON which eliminates life safety concerns
- Industry-exclusive H.I.S. (High Inrush Stability) technology designed to handle today’s high inrush electronic ballast loads and offer unmatched durability and service
- Robust and reliable mechanically held 10A latching relay provides dependability and robust performance for all load types and provides energy savings over electronically held relays
- Field of View: Units from 100 to 2000 square feet available
- Lenses on PIR models are easily replaceable and color-coded red (mid range) for contractors and end-users to easily identify lenses from the ground

PRODUCT DATA

FEATURES

- Industry-exclusive H.I.S. (High Inrush Stability) technology designed to handle today's high inrush electronic ballast loads and offer unmatched durability and service
- Robust and reliable mechanically held 10A latching relay provides dependability and robust performance for all load types and provides energy savings over electronically held relays
- Field of View: Units from 1000 to 2000 square feet available
- Lenses on PIR models are easily replaceable and color-coded red (mid range) for contractors and end-users to easily identify lenses from the ground
- Lenses are easily replaceable and color-coded for contractors and end-users to easily identify lenses from the ground:
 - Mid-Range: Red - included with M/T, and PIR models
 - Extended Range: Black

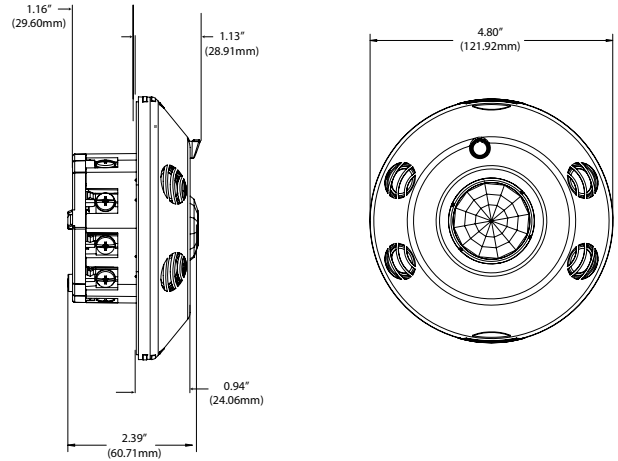
RATINGS AND TESTING

- Zero-crossing circuitry for extended life of the relay
- Tested to exceed 1 million switching cycles under standard loads
- Multiple compliance and regulatory UL testing - consult factory for details
- Passed rigorous NEMA 410 testing for electronic ballast rating
- BMS Input/Emergency Override: UL 924 listed for Emergency and Egress lighting control

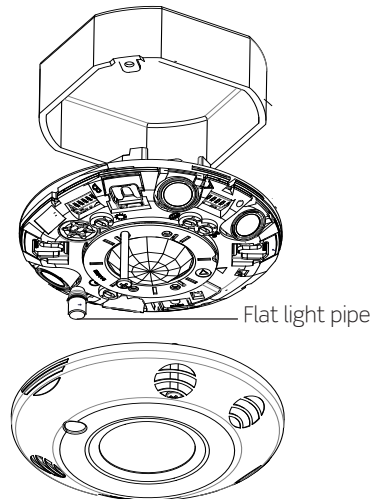
INSTALLATION

- Easy installation into junction boxes with Leviton-exclusive screw guides, coasters and terminal blocks
- Front cover snaps on and off for ease of installation

DIMENSIONS

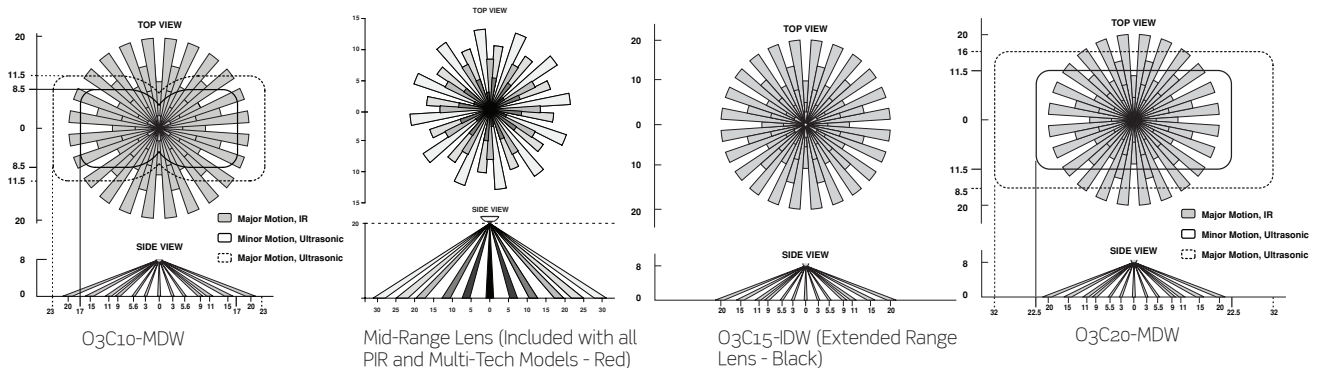


INSTALLATION



Sensors conveniently mount to a standard 4" x 4" octagon electrical box per NEC standards.

FIELD OF VIEWS



PRODUCT DATA



SPECIFICATIONS

| ELECTRICAL | | | |
|-----------------------|---|--|--|
| Input Voltage | 120V, 50/60Hz | 230V, 50Hz | 277V, 50/60Hz |
| Load Rating | 8A, Electronic Ballast, 800W/VA, Tungsten, Ballast, 1/4 HP Motor | 6A/6AX, Electronic Ballast, Magnetic Ballast, 1/3 HP Motor | 5A, Electronic Ballast, 1200VA, 1/3 HP Motor |
| Current Consumption | 60-30ma | | |
| ENVIRONMENTAL | | | |
| Operating Temperature | 32° to 104° F (0° to 40° C) | | |
| Storage Temperature | -15° to 160° F (-26° to 71° C) | | |
| Relative Humidity | 0% to 90% non-condensing | | |
| OTHER | | | |
| Listings | CA Title 20 Compliant, UL 773A (Occupancy Standard), UL 924 (Emergency Equipment), cUL Lsted, CE Compliant, NOM Certified, RoHS Compliant, NY LLC48 Compliant | | |
| Warranty | 5-Year Limited Warranty | | |

ORDERING INFORMATION

| CAT. NO. | DESCRIPTION |
|-----------------------|---|
| VACANCY MODELS | |
| O3C10-MDW | Line Voltage, Ceiling, M/T Sensor 1000sqft, 120-277V, CA Title 20 Compliant, NY LLC48 Compliant |
| O3C15-IDW | Line Voltage, Ceiling, PIR Sensor 1500sqft, 120-277V, CA Title 20 Compliant, NY LLC48 Compliant |
| O3C20-MDW | Line Voltage, Ceiling, M/T Sensor 2000sqft, 120-277V, CA Title 20 Compliant |

ODC Series Vacancy Sensors

Leviton Mfg. Co., Inc. Lighting & Energy Solutions

20497 SW Teton Avenue, Tualatin, OR 97062 1-800-736-6682 Tech Line: 1-800-959-6004 Fax: 503-404-5594 www.leviton.com/les
© 2013 Leviton Manufacturing Co., Inc. All rights reserved. Subject to change without notice.

Leviton Manufacturing Co., Inc. Global Headquarters

201 N. Service Rd. Melville, NY 11747-3138 • Tech Line: 1-800-824-3005 • Fax: 1-800-832-9538

Leviton Manufacturing Co., Inc. Lighting & Energy Solutions

20497 SW Teton Avenue, Tualatin, OR 97062 • Tele: 1-800-736-6682 • FAX: 503-404-5594 • Tech Line (6:00AM-4:00PM P.S.T. Mon-Fri): 1-800-959-6004

Leviton Manufacturing of Canada, Ltd.

165 Hymus Boulevard, Pointe Claire, Quebec H9R 1E9 • Telephone: 1-800-469-7890 • FAX: 1-800-563-1853

Leviton S. de R.L. de C.V.

Lago Tana 43, Mexico DF, Mexico CP 11290 • Tel. (+52) 55-5082-1040 • FAX: (+52) 5386-1797 • www.leviton.com.mx

Visit our Website at: www.leviton.com/les

© 2013 Leviton Manufacturing Co., Inc. All rights reserved. Subject to change without notice.