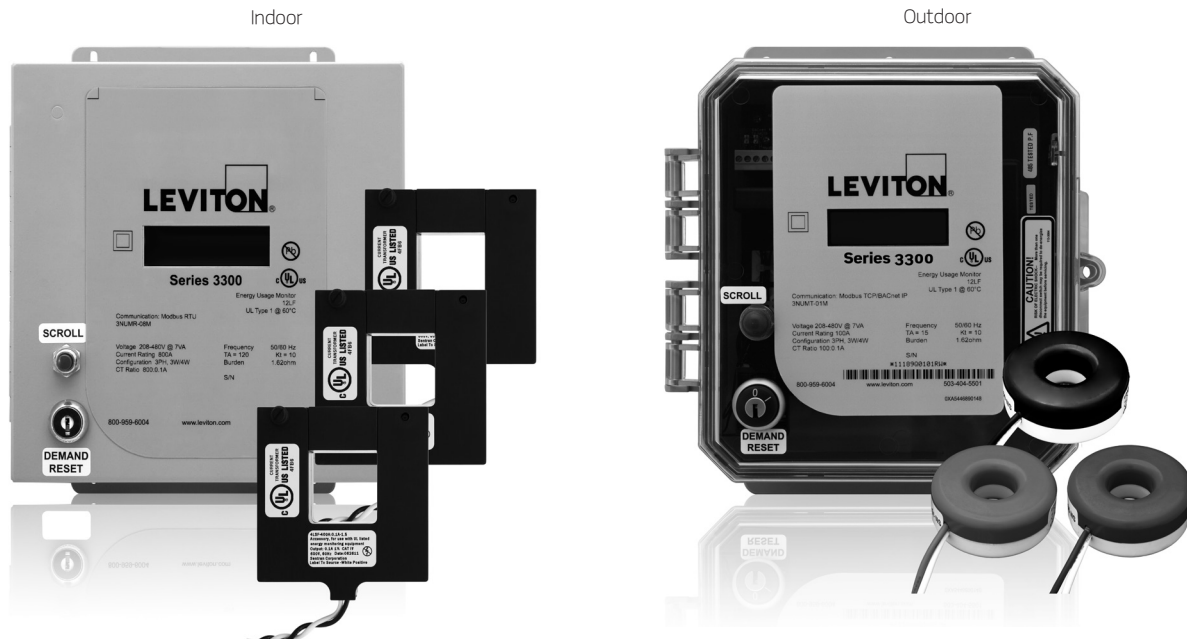


# Series 3300 Meter Kits with RS485 Communications



## DEFINITION

The Leviton Series 3300 Meter is a revenue-grade kWh electrical meter featuring Time of Use (TOU) meter readings, per-phase meter data, and a user-friendly LCD display. The Series 3300 Meter is designed for use on both 3-phase, 3-wire (Delta) and 3-phase, 4-wire (WYE) circuits, and features an auto-ranging voltage input for use across all typical commercial and industrial applications.

The Leviton Series 3300 Meter is a highly accurate, 0.5% accuracy class kWh/demand meter. Offering a full range of electrical parameter measurement—kVA and kVAR, PF, per phase voltage, etc., this meter is ideally suited to commercial and industrial applications where advanced communications protocols are demanded. As an RS485 product, the Series 3300 meter can be configured for Modbus RTU for easy integration into existing Modbus networks. The meter can also be configured for BACnet MS/TP to meet the requirements of today's Direct Digital Control based Building Automation Systems. In addition to the advanced protocols, the Series 3300 Meter comes standard with an Isolated Pulse output as an additional communication capability.

A highly accurate, multi-function smart meter, the Leviton Series 3300 Meter offers seamless integration into the advanced building control and management systems in today's market.

## APPLICATIONS

Use Series 3300 Meters in commercial, institutional, industrial and government applications for:

- Load profiling and benchmarking
- AMR/BAS/BMS/EMS integration
- Usage aggregation
- Tenant cost allocation
- Measurement and verification
- Energy conservation and cost reduction
- Green building initiatives and Government mandates

## PRODUCT DATA

### FEATURES

- Revenue grade accuracy: 0.5% accuracy class
- Large LCD display with scroll feature
- Indoor JIC steel and outdoor (NEMA 4X) enclosure options
- Up to three sets of CTs paralleled with no multipliers
- Use with split core or solid core CTs
- Installation diagnostics
- Low voltage detection
- Real time clock with battery back up for TOU reading
- UL and cUL listed energy usage monitor per CCN FTRZ

### COMMUNICATIONS

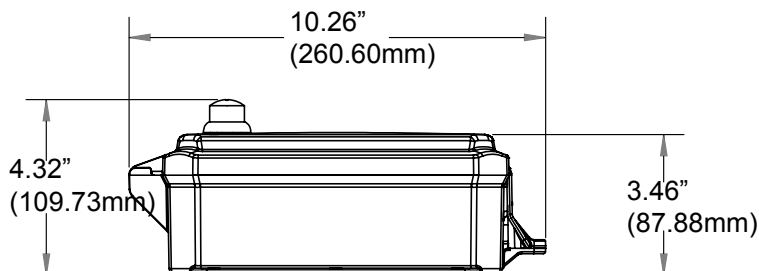
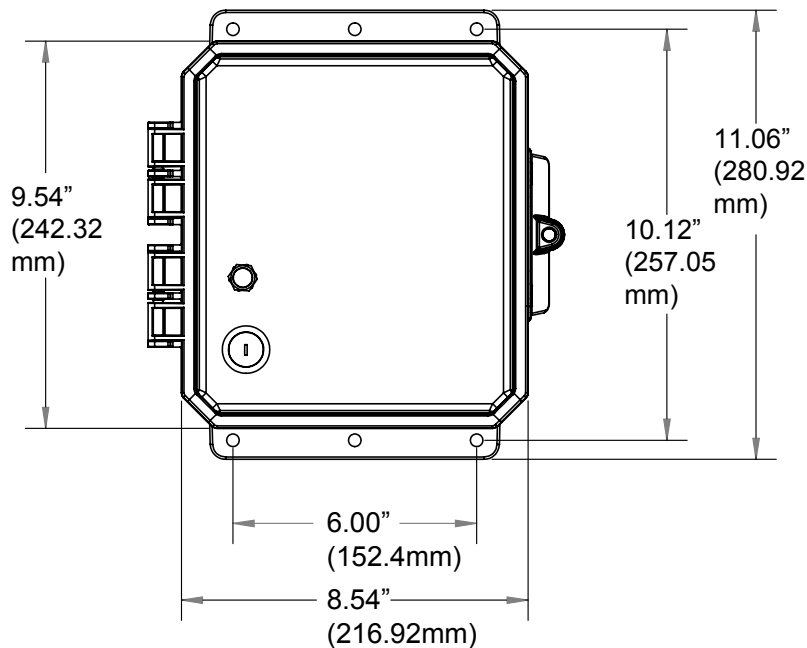
- Modbus RTU or BACnet MS/TP over RS485
- Isolated pulse output

### MEASURED PARAMETERS

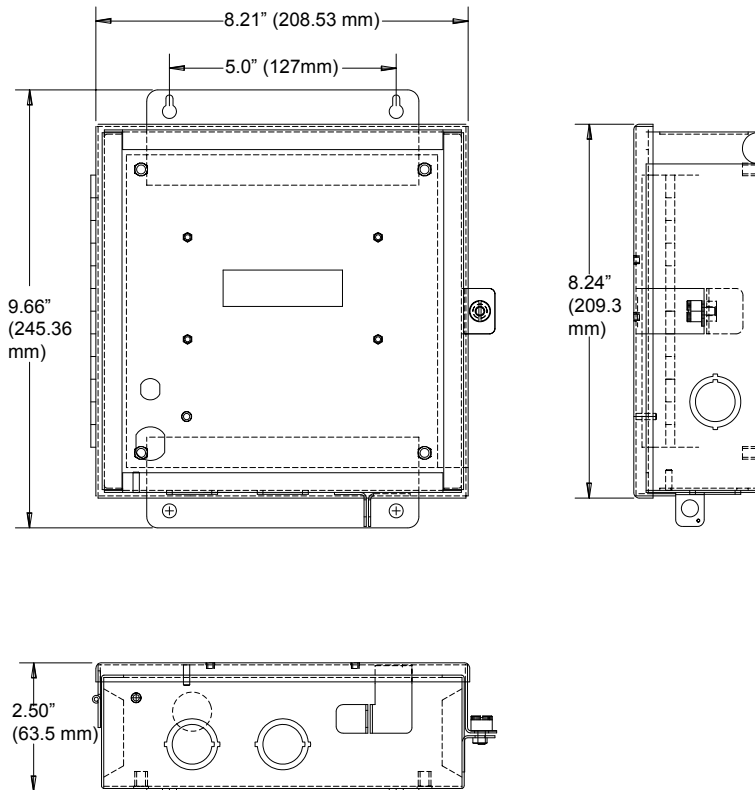
- Total Meter
  - kWh/kW
  - kVAh
  - kVA and kVAR
  - Power Factor
  - Line Frequency
  - Voltage L-L
- Per Phase
  - Voltage L-N
  - Current
  - Watts
  - VA, VAR
  - Power Factor

### DIMENSIONS

#### SERIES 3300 OUTDOOR ENCLOSURE



**DIMENSIONS**  
**SERIES 3300 INDOOR ENCLOSURE**



**SPECIFICATIONS**

ELECTRICAL		
	NO NEUTRAL	NEUTRAL
<b>Input Configurations</b>	2PH 2W 208VAC 2PH 2W 480VAC 3PH 3W 240VAC 3PH 3W 480VAC	2PH 3W 120/208VAC 3PH 4W 120/208VAC 3PH 4W 240VAC Grounded Delta 3Ph 4W 277/480VAC 3PH 4W 480VAC Grounded Delta
<b>Supply Voltage Range (Line 1 to Line 2)</b>	177-552VAC	
<b>Maximum Input Power</b>	10.2 VA Max	
<b>Maximum Rated Current</b>	Primary: Max Rated Current +10% Secondary: 0.11A	
<b>Line Frequency</b>	60Hz	
<b>Power Factor Range</b>	0.5 to 1.0 leading or lagging	
<b>Accuracy*</b>	kWh: Meter shall meet or exceed ANSI C12.1 and C12.20(0.5) All other parameters: +/- 1% of reading or registration	
<b>Meter Operating Temperature Range</b>	-22° to 140°F (-30°C to 60°C)	
<b>Display Operating Temperature Range</b>	-4°F to 122°F (-20°C to 50°C)	
TERMINAL BLOCKS		
<b>Voltage Inputs</b>	14AWG, 12 in-lb of torque maximum	
<b>Current Transformer Inputs, Pulse &amp; RS485 Outputs</b>	14-18AWG, 4.4 in-lb of torque maximum	

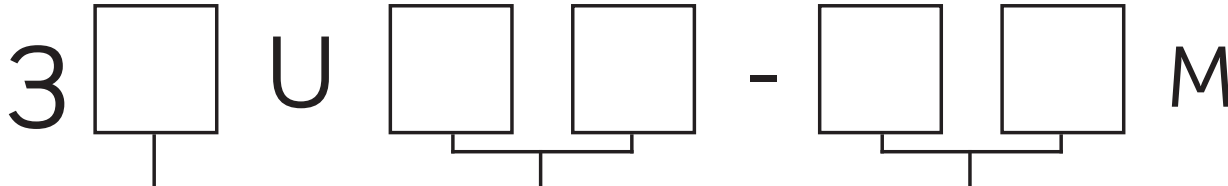
Series 3300 Multi-Function RS485 Meter Kits

**Leviton Mfg. Co., Inc. Lighting & Energy Solutions**

**PRODUCT DATA**



**ORDERING KEY - KITS (CURRENT TRANSFORMERS INCLUDED)**



**KIT TYPE**

**K** = Indoor  
**O** = Outdoor  
 NEMA 4X

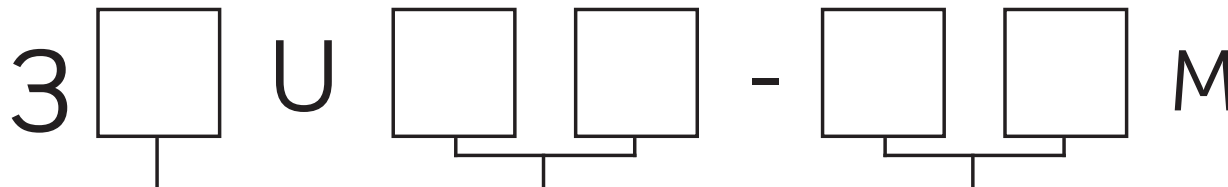
**COMMUNICATION  
 PROTOCOL**

**MR** = Modbus RTU  
**BM** = BACnet MS/TP

**AMPERAGE RATING  
 & CT TYPE**

**01** = 100A Split Core  
**02** = 200A Split Core  
**04** = 400A Split Core  
**08** = 800A Split Core  
**16** = 1600A Split Core  
**30** = 3000A Split Core  
**50** = 5000A Split Core  
**1S** = 100A SOLID Core  
**2S** = 200A SOLID Core  
**4S** = 400A SOLID Core

**ORDERING KEY - INDIVIDUAL METERS (CURRENT TRANSFORMERS SOLD SEPARATELY)**



**KIT TYPE**

**N** = Indoor  
**R** = Outdoor  
 NEMA 4X

**COMMUNICATION  
 PROTOCOL**

**MR** = Modbus RTU  
**BM** = BACnet MS/TP

**AMPERAGE RATING**

**01** = 100A  
**02** = 200A  
**04** = 400A  
**08** = 800A  
**16** = 1600A  
**30** = 3000A  
**50** = 5000A

**Series 3000 Advanced kWh Meter Kits**

**LEVITON SPECIFICATION SUBMITTAL**

JOB NAME:	CATALOG NUMBERS:
JOB NUMBER:	

**Leviton Manufacturing Co., Inc. Lighting & Energy Solutions**

20497 SW Teton Avenue, Tualatin, OR 97062 • Tel: 1-800-736-6682 • Fax: 503-404-5594 • Tech Line (6:00AM-4:00PM P.S.T. Mon-Fri): 1-800-959-6004

**Leviton Manufacturing Co., Inc. Global Headquarters**

201 N. Service Rd. Melville, NY 11747-3138 • Tech Line: 1-800-824-3005 • Fax: 1-800-832-9538

**Leviton Manufacturing of Canada, Ltd.**

165 Hymus Boulevard, Pointe Claire, Quebec H9R 1E9 • Telephone: 1-800-469-7890 • FAX: 1-800-563-1853

**Leviton S. de R.L. de C.V.**

Lago Tana 43, Mexico DF, Mexico CP 11290 • Tel. (+52) 55-5082-1040 • FAX: (+52) 5386-1797 • www.leviton.com.mx

**Visit our Website at: [www.leviton.com/les](http://www.leviton.com/les)**