

# VerifEye™ Mini Meter™ Multiple Meter Unit (MMU)



## DEFINITION

VerifEye™ Mini Meter™ (kWh) Multiple Meter Units (MMUs) are designed for multi-tenant submetering applications in which multiple single phase (120/240V 1PH 3W and 120/208V 2PH 3W) loads are fed from the same power distribution panel to be metered.

MMUs have important advantages over multiple individually housed meters including:

- Smaller mounting footprint
- Reduced hardware requirements (conduit, wire, short circuit protection devices, etc.)
- Reduced installation time
- Individual meters in one enclosure architecture enhances product reliability

Each VerifEye Mini Meter installed in an MMU is a revenue-grade\*, ANSI C12.1-compliant energy meter that is backed by Leviton's best in the industry 10-year warranty. Mini Meter MMUs are NEMA 4X rated and UL Listed, suitable for either indoor or outdoor installations. Each Mini meter has built-in pulse outputs for connection to Automatic Meter Reading equipment as well as on-site kWh displays.

\*Leviton Solid Core Current Transformers are recommended for revenue-grade metering

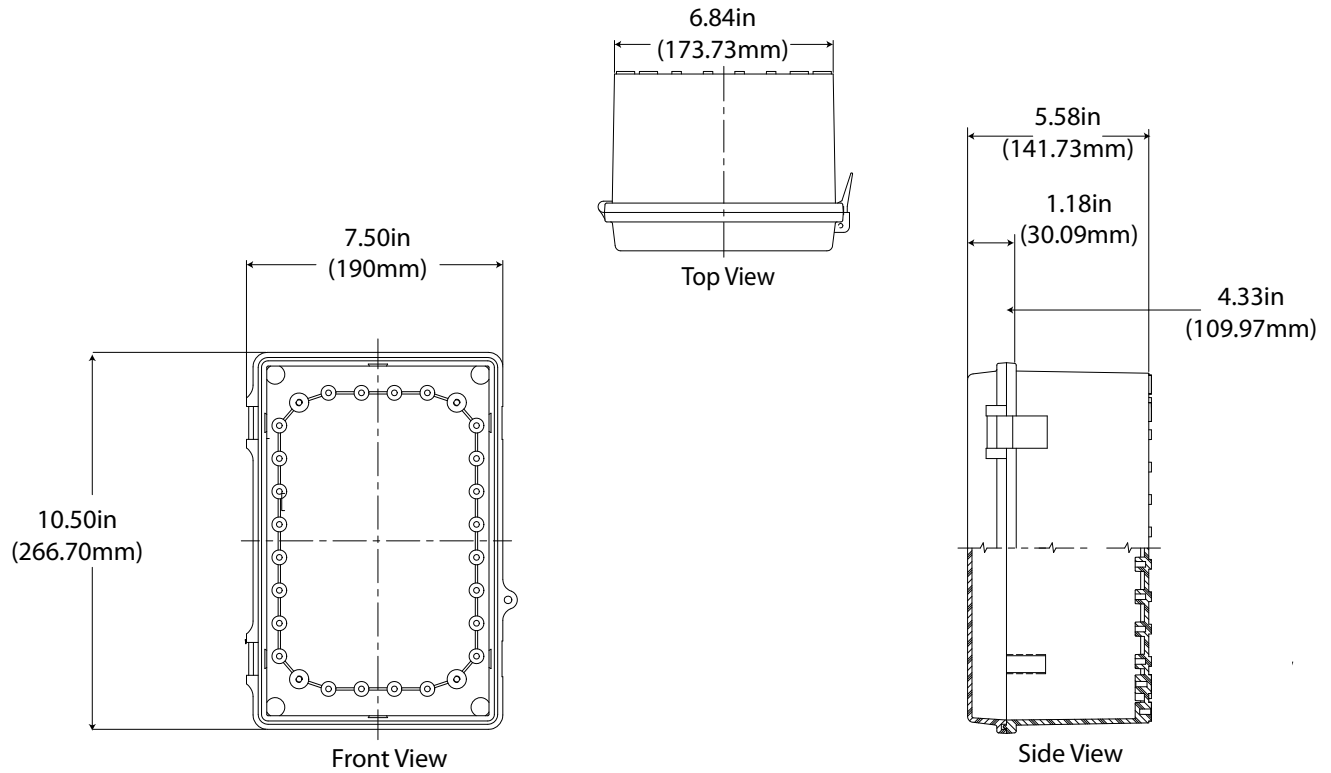
Suitable for both new construction and retrofit applications, Mini Meter (kWh) MMUs are available in 3 sizes:

- **Medium:** Houses 2 to 4 Mini Meters
- **Large:** Houses 5 to 8 Mini Meters
- **Extra-Large:** Houses 9 to 19 Mini Meters

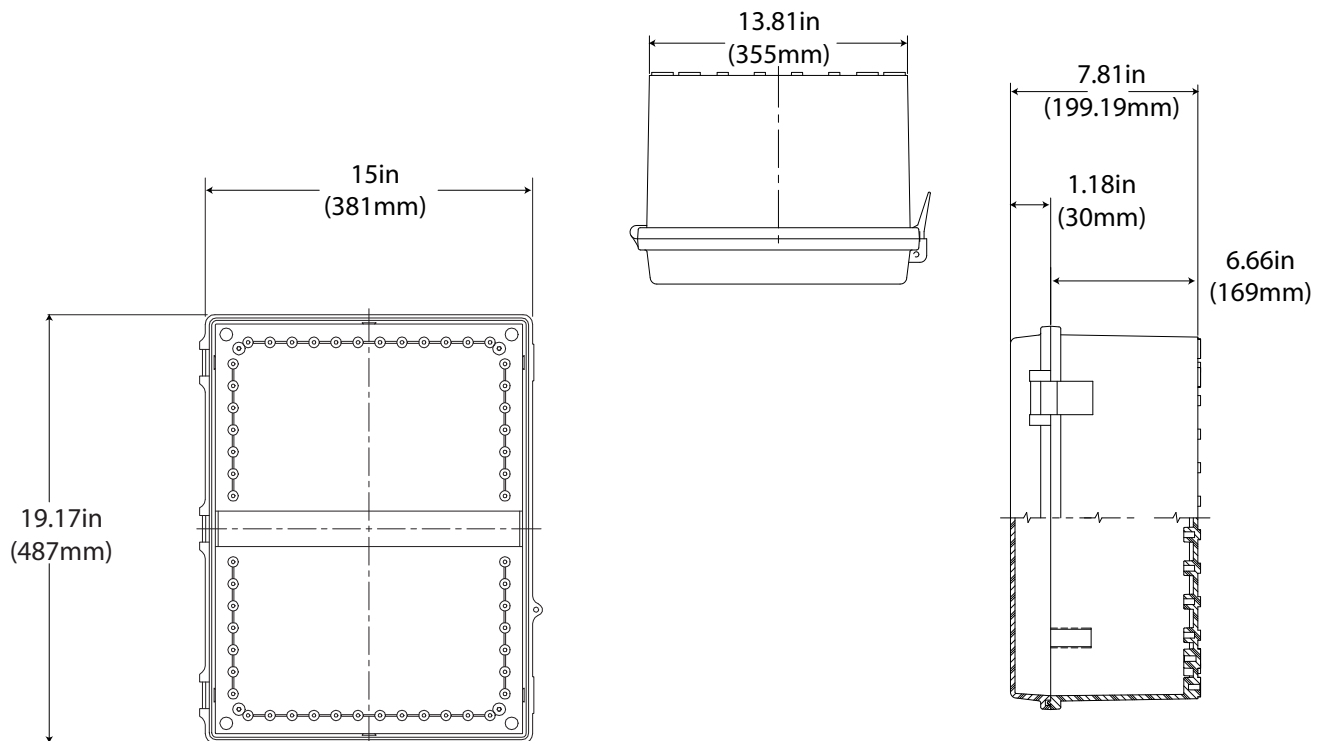
VerifEye MMU configuration forms provide the factory with build information, such as power distribution information (single phase or three phase distribution panel mains), amperage ratings, and MMU and meter labeling information.

# PRODUCT DATA

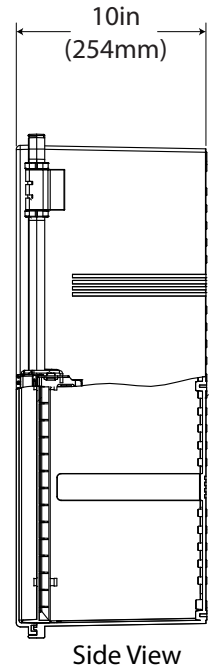
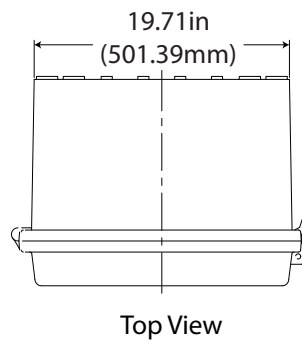
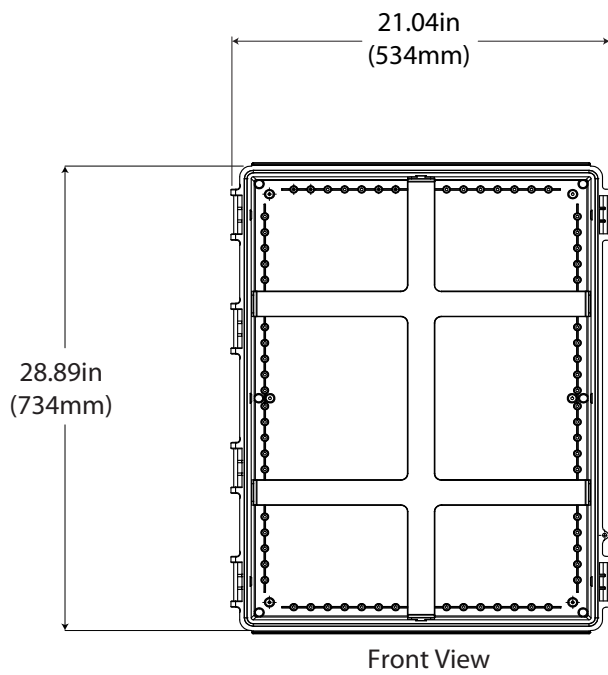
## MEDIUM SERIES MINI METER MMU DIMENSIONS



## LARGE SERIES MINI METER MMU DIMENSIONS



**EXTRA-LARGE SERIES MINI METER MMU DIMENSIONS**



VerifEye™ Mini Meter™ Multiple Meter Unit

# PRODUCT DATA



VerifEye™ Mini Meter™ Multiple Meter Unit

## ORDERING INFORMATION

Voltage	Description	Leviton P/N
<b>MEDIUM MINI METER MMU, 2-4 METERS</b>		
120/240V 1PH 3W	2 Dual Element Meters	6M202-CFG
	3 Dual Element Meters	6M203-CFG
	4 Dual Element Meters	6M204-CFG
120/208V 3PH 4W	2 Dual Element Meters	6M302-CFG
	3 Dual Element Meters	6M303-CFG
	4 Dual Element Meters	6M304-CFG
<b>LARGE MINI METER MMU, 5-8 METERS</b>		
120/240V 1PH 3W	5 Dual Element Meters	6L205-CFG
	6 Dual Element Meters	6L206-CFG
	7 Dual Element Meters	6L207-CFG
	8 Dual Element Meters	6L208-CFG
120/208V 3PH 4W	5 Dual Element Meters	6L305-CFG
	6 Dual Element Meters	6L306-CFG
	7 Dual Element Meters	6L307-CFG
	8 Dual Element Meters	6L308-CFG
<b>EXTRA-LARGE MINI METER MMU, 9-19 METERS, NEMA 4X ENCLOSURE</b>		
120/240V 1PH 3W	9 Dual Element Meters	6X209-CFG
	10 Dual Element Meters	6X210-CFG
	11 Dual Element Meters	6X211-CFG
	12 Dual Element Meters	6X212-CFG
	13 Dual Element Meters	6X213-CFG
	14 Dual Element Meters	6X214-CFG
	15 Dual Element Meters	6X215-CFG
	16 Dual Element Meters	6X216-CFG
	17 Dual Element Meters	6X217-CFG
	18 Dual Element Meters	6X218-CFG
19 Dual Element Meters	6X219-CFG	
120/208V 3PH 4W	9 Dual Element Meters	6X309-CFG
	10 Dual Element Meters	6X310-CFG
	11 Dual Element Meters	6X311-CFG
	12 Dual Element Meters	6X312-CFG
	13 Dual Element Meters	6X313-CFG
	14 Dual Element Meters	6X314-CFG
	15 Dual Element Meters	6X315-CFG
	16 Dual Element Meters	6X316-CFG
	17 Dual Element Meters	6X317-CFG
	18 Dual Element Meters	6X318-CFG
19 Dual Element Meters	6X319-CFG	

### The following products are also part of the VerifEye line of integrated metering solutions:

- Series 1000 Meters
- Series 2000 Meters
- Series 3300 and 3500 Smart Meters
- Series 8000 Multiple Meters
- EMH+ Energy Monitoring HUB
- Mini Meters
- Multiple Meter Units (MMUs)
- Current Transformers (CTs)\*
- Energy Management Hub (EMH)
- BillSuite
- Energy Manager Monitoring Software
- BMO 2.0

**NOTE:** All MMU orders require submittal of a Configuration Form. Please visit [www.leviton.com/meters](http://www.leviton.com/meters) to download and submit.

\*Current transformers (CTs) sold separately; see the Leviton CT data sheet for ordering information

### LEVITON SPECIFICATION SUBMITTAL

JOB NAME:	CATALOG NUMBERS:
JOB NUMBER:	

#### Leviton Mfg. Co., Inc. Lighting & Energy Solutions

20497 SW Teton Avenue, Tualatin, OR 97062 • 1-800-736-6682 • Fax: 503-404-5594 • Tech Line (6:00AM-4:00PM P.S.T. Mon-Fri): 1-800-959-6004

#### Leviton Manufacturing Co., Inc. Global Headquarters

201 N. Service Rd. Melville, NY 11747-3138 • Tech Line: 1-800-824-3005 • Fax: 1-800-832-9538

#### Leviton Manufacturing of Canada, Ltd.

165 Hymus Boulevard, Pointe Claire, Quebec H9R 1E9 • Telephone: 1-800-469-7890 • FAX: 1-800-563-1853

#### Leviton S. de R.L. de C.V.

Lago Tana 43, Mexico DF, Mexico CP 11290 • Tel. (+52) 55-5082-1040 • FAX: (+52) 5386-1797 • [www.leviton.com.mx](http://www.leviton.com.mx)

#### Visit our Website at: [www.leviton.com/les](http://www.leviton.com/les)

© 2014 Leviton Manufacturing Co., Inc. All rights reserved. Subject to change without notice..

G-8795A/A14-aa  
REV JAN 2014