

Low Exposure Secondary Surge Arrester




Helps prevent external power surges from entering homes, transformers and submersible pumps

Definition:

Leviton's Cat. No. 54175-SSA Secondary Surge Arrester offers power users a way to reliably and economically help protect against the entry of lightning strikes into farming irrigation systems and pumps used in oil/gas and petrochemical applications. It can also be used to protect against the entry of external transient surges through a structure's service entrance. The 54175-SSA offers a quick, cost-effective solution to the problem of transient voltage surges causing malfunctions in pumps and motor appliance systems.



Applications:

Industry	Application
 Oil/Petrochemical	Protection of pumps used in the oil/petrochemical industry from damage due to lightning strikes
 Agriculture	Protection of irrigation systems used in farming from damage due to lightning strikes
 Residential	Protection from external transient surges that enter through a home's electrical service entrance

Features and Benefits:

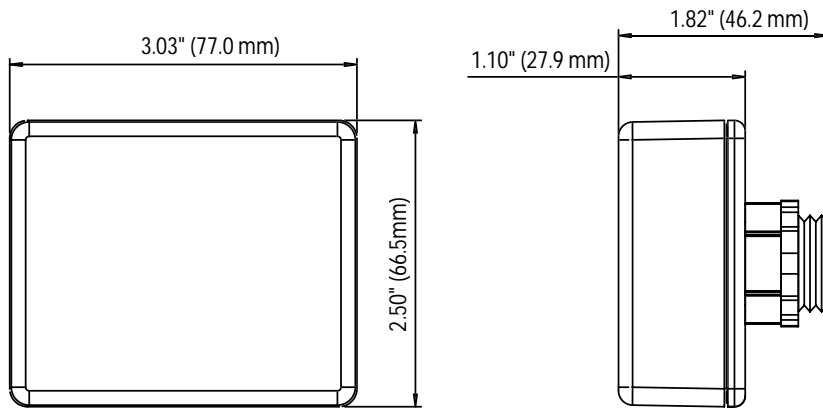
- Surge Arrester performance tested to IEEE C62.11 (10,000 Amps/4x10 μ s)
- Surge Current Rating: 52,000 peak Amps per Mode (L1-N and L2-N)
- Clamping Voltage: 400V pk at 120V nominal
- Maximum Continuous Operating Voltage (MCOV*): MOV's rated at 150V with a UL assigned rating of 132V
- Joule Rating: 760 Joules per Mode;1520 Total [(4) 20mm MOV's/mode]
- Rugged housing constructed of high-impact, non-conductive fiberglass-reinforced polycarbonate rated for outdoor use
- Backed by Leviton's Limited 10-Year Warranty

* UL assigns the device an MCOV of 132V after passing accelerated aging test

Agency Standards & Compliance:

UL listed (File #E175161)

Dimensional Data/Drawing:



Ordering information

Cat. No.	Description
54175-SSA	120/240V – Secondary Surge Arrester



Leviton Manufacturing Co., Inc. - Power Quality Division
860 Harold Place, Chula Vista, CA 91914
Tech Line: 1-800-648-3332 • FAX: 1-800-671-5207

Leviton Manufacturing of Canada, Ltd.
165 Hymus Boulevard, Pointe Claire, Quebec H9R 1E9
Telephone: 1-800-469-7890 • FAX: 1-800-563-1853

Visit Leviton's Web site at: www.leviton.com

