

Application Note



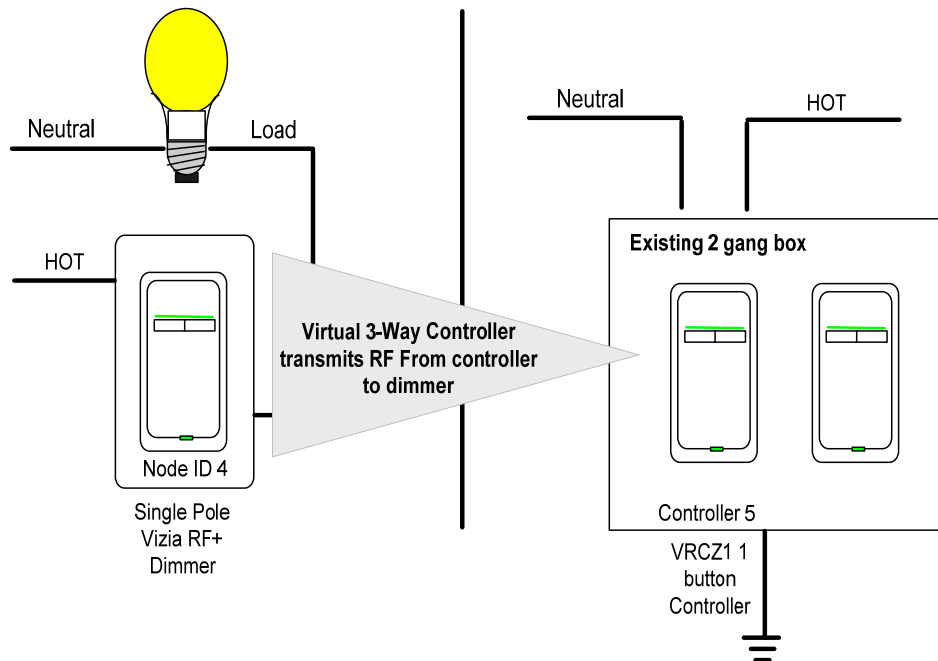
Topic:

Vizia RF+ Virtual 3-Way retrofit Installations

Resolution:

Installing a virtual 3-Way dimmer or switch solves those single pole retrofit applications where you are unable to get a traveler wire to make it a 3-Way. The virtual 3-Way only requires Hot, Neutral and ground, making easy to retrofit into existing boxes. If your application requires a dimmer remote use the VRCZ1 controller, this controller acts as a virtual Matching remote to your dimmer. If your application is using a 15 A switch (VRS15) use the VRCS1 virtual switch remote.

Below are wiring diagrams showing application.



Application Note ID:

HABH0618082

Version number:

1.0

Date:

6/18/08

Author:

BH

Product Line:

Vizia RF+

Product:

1 Button Controllers

Part Numbers Affected:

VRCZ1-1LX

VRCS1-1LX