

Leviton's New V-0-MAX™ Line Of Industrial Grade Locking Flush Receptacles



*Advanced Materials And Design
For Trouble-Free Performance In
Demanding Industrial, Institutional
And Commercial Applications*





Definition:

Leviton's new V-0-MAX Locking Flush Receptacle line combines advanced design, the finest component materials and extensive laboratory testing to deliver unparalleled reliability in the safe and uninterrupted operation of electrical equipment in demanding Industrial, Institutional and Heavy Duty Commercial applications. The new V-0-MAX line is available in both Standard and Isolated Ground (IG), 20 and 30 ampere, 2-pole-3-wire and 3-pole-4-wire grounding versions (L5-20, L5-30, L6-20, L6-30, L7-20, L14-20, L14-30, L15-20, L15-30, L16-20, L16-30 and L24-20).

Applications:

Industry	Application
 <p>Manufacturing</p>	<ul style="list-style-type: none"> • Prevent accidental disconnection of maintenance and cleaning equipment • Extra-secure connection of machinery, pumps, power tools and test equipment
 <p>Maintenance Repair and Operation</p>	<ul style="list-style-type: none"> • High abuse areas exposed to contaminants and corrosive liquids (grease, oil, solvents, etc.) for machinery and maintenance equipment • IG receptacles for electronic equipment that requires low ground interference

Industry	Application
 <p>Institutional</p>	<ul style="list-style-type: none"> • Secure NEMA locking connection for high amperage office equipment and critical loads such as computer systems and telecommunications systems where V-0 Flammability Rating is required
 <p>OEM</p>	<ul style="list-style-type: none"> • Generators, power distribution panels and commercial cooking equipment • High-volume manufacturing assemblies requiring minimum wiring time

Features and Benefits:

- V-0-MAX™ device back cover is molded from Valox® 357 polyester for excellent chemical and heat resistance
- For V-0-MAX standard devices, uni-body front face is molded from Ultramid® KR4205 nylon 66/6 copolymer material that provides superior resistance to impact and chemicals. Ultramid® is also an excellent arc-resistant insulating material
- For isolated ground devices, unibody front face is orange Valox® 357 polyester which is an excellent thermoplastic material offering superior performance in high-abuse environments
- Valox® 357 and Ultramid® KR4205 both carry a UL 94 V-0 Flammability Rating, the best rating of any material used in Industrial Locking Flush Receptacles available today. The UL 94 V-0 rating is clearly marked on the back strap of every V-0-MAX device for easy identification
- One-piece contacts are seated deep in the thick-walled uni-body face to provide maximum electrical insulation and added structural integrity. Leviton's innovative design ensures electrical insulation by locating the seam between the face and back cover far from the top of the contacts, a critical area where arcing could occur
- Contacts are made of an .040" thick brass with 80% copper content to ensure excellent electrical conductivity
- Mechanically-secured, all-brass ground-path components assure a continuous, ultra-low resistance ground path
- Two-tiered mounting strap, built from .050" extra-thick nickel-plated brass, provides outstanding structural strength that resists bending and separation

- Front face designed with built-in stability ribs that ensure a flush, extra-secure fit on mounting surfaces, including applications where vibration may be a factor
- Oversized # 10 brass terminal screws accept Phillips/Robertson/straight-slot drives to provide ease-of-use for maintenance personnel and OEM installers
- Multi-termination design accepts #8 - #14 AWG solid or stranded conductors for back-wiring, side-wiring and fork terminal connections.
- Back-wire clamps and mounting strap components are made from nickel-plated brass for corrosion resistance
- Face is permanently marked with voltage color code for fast visual identification and to assist proper mating of NEMA-rated plug. NEMA configuration and rating are also molded into face to assist identification
- Wide operating temperature range of -40° C to +60° C continuous (-40°F to +140°F continuous) ensures reliable operation in a variety of applications
- Backed by Leviton's Limited Ten-Year Warranty
- Made in USA

Agency Standards & Compliance:

- Meets requirements for Federal Specification WC-596, where applicable
- UL 94 V-0 Flammability Rating
- UL Listed (File 13399)
- CSA Certified (File LR-406)
- NOM Certified

FLAMMABILITY CLASSIFICATIONS

The UL 94 20mm Vertical Burning Test compares plastic materials in terms of three burning characteristics: Relative Speed of Burning, Ability to Extinguish Fire and Inability to Propagate Fire. The V-0-MAX Receptacle materials have earned the best rating possible: V-0

Ordering Information: V-0-MAX™ Locking Flush Receptacles



Cat. No. 2720

Cat. No. 2310-IG

Pole-Wire	NEMA Configuration	Amps/Volts	Standard Cat. No.	Isolated Ground Cat. No.
2 Pole-3 Wire Grounding	L5-20R	20A-125V	2310	2310-IG
	L5-30R	30A-125V	2610	2610-IG
	L6-20R	20A-250V	2320	2320-IG
	L6-30R	30A-250V	2620	2620-IG
	L7-20R	20A-277VAC	2330	2330-IG
	L24-20R	20A-347VAC	3720	—
3 Pole-4 Wire Grounding	L14-20R	20A-125/250V	2410	2410-IG
	L14-30R	30A-125/250V	2710	2710-IG
	L15-20R	20A-3Ø250V	2420	2420-IG
	L15-30R	30A-3Ø250V	2720	2720-IG
	L16-20R	30A-3Ø480V	2430	2430-IG
	L16-30R	30A-3Ø480V	2730	2730-IG

Valox® is a registered trademark of the General Electric Co.
Ultramid® is a registered trademark of BASF AG.

Color-Coded Voltage Ratings



125V



250V



277V AC



125/250V

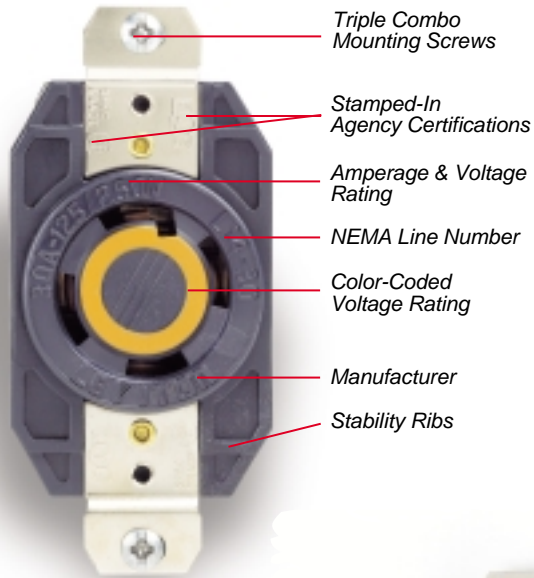


3Ø250V

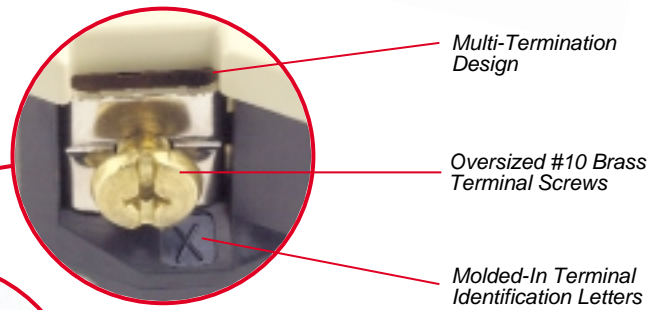
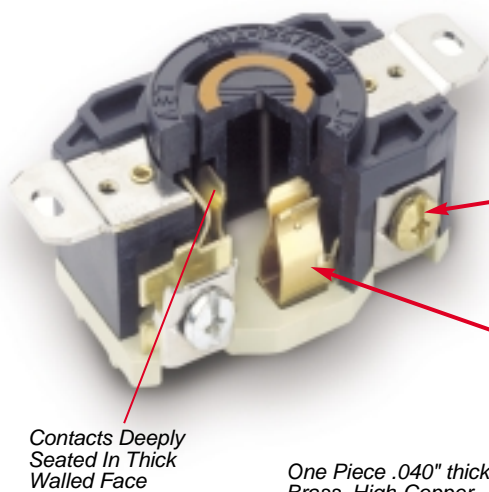
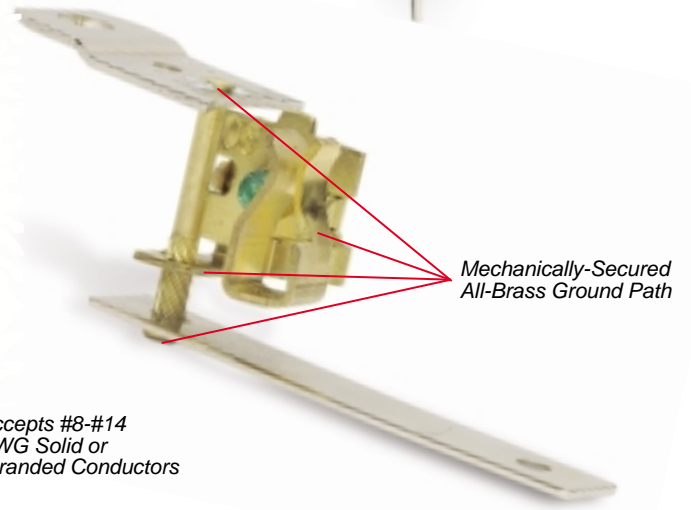
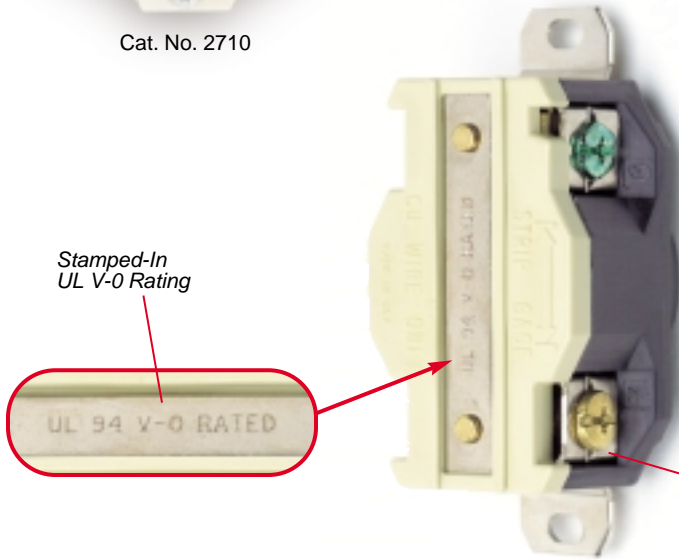
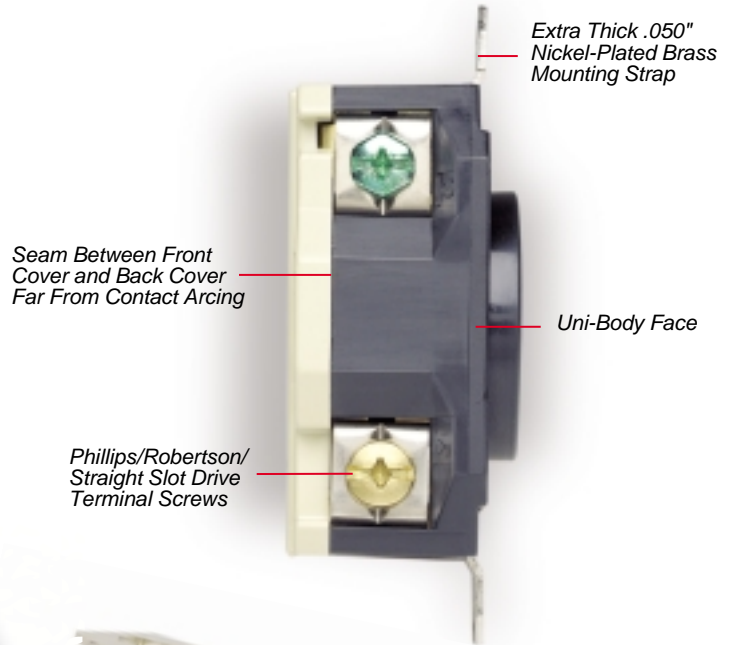


3Ø480V

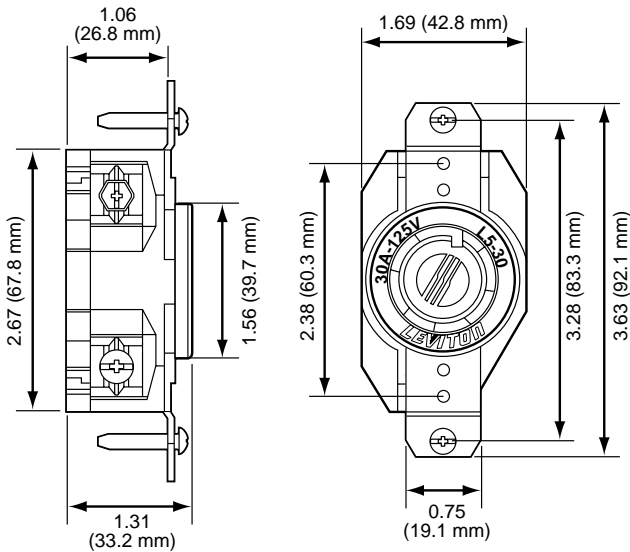
Engineered for Maximum Performance



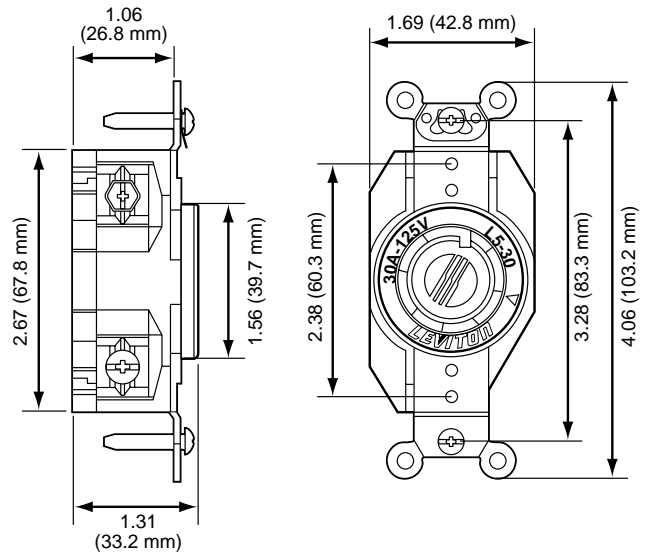
Cat. No. 2710



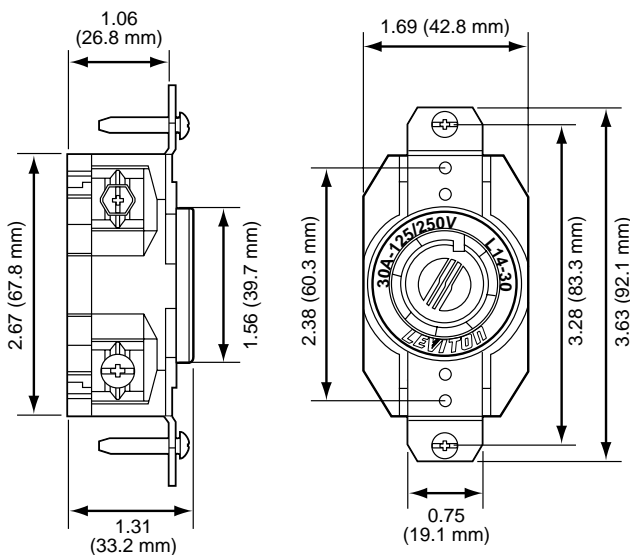
V-0-MAX™ Locking Flush Receptacle Dimensions



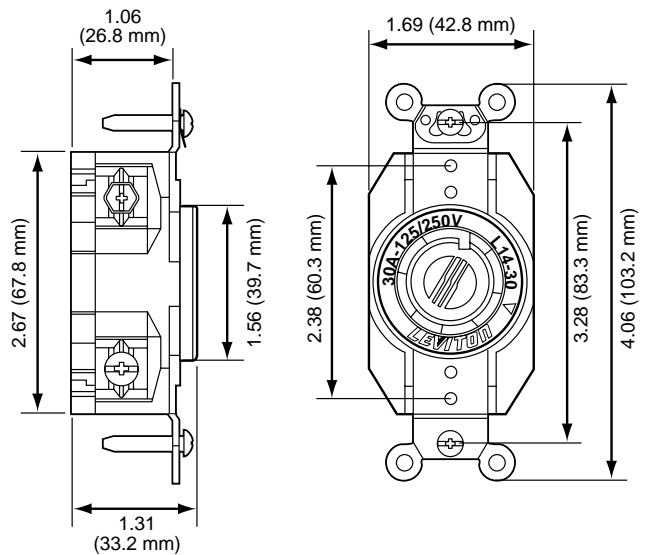
Cat. Nos. 2310, 2320, 2330, 2610, 2620, 3720



Cat. Nos. 2310IG, 2320IG, 2330IG, 2610IG, 2620IG



Cat. Nos. 2410, 2420, 2430, 2710, 2720, 2730



Cat. Nos. 2410IG, 2420IG, 2430IG, 2710IG, 2720IG, 2730IG

For Technical Assistance Call: 1-800-824-3005

Leviton Manufacturing Co., Inc.

59-29 Little Neck Parkway, Little Neck, NY 11362-2591

Telephone: 1-800-323-8920 • FAX: 1-800-832-9538

Tech Line (8:30AM-6:00PM Eastern Time Monday-Friday): 1-800-824-3005

Visit Leviton's Web site at <http://www.leviton.com>

Leviton Manufacturing of Canada, Ltd.

165 Hymus Boulevard, Pointe Claire, Quebec H9R 1E9

Telephone: 1-800-469-7890 • FAX: 1-800-563-1853

