



COMMERCIAL
SPECIFICATION GRADE

3-Way Quiet Switch

Cat. No. CS320-2
Rated: 20A-120/277V AC

INSTALLATION INSTRUCTIONS

INSTALLATION INSTRUCTIONS

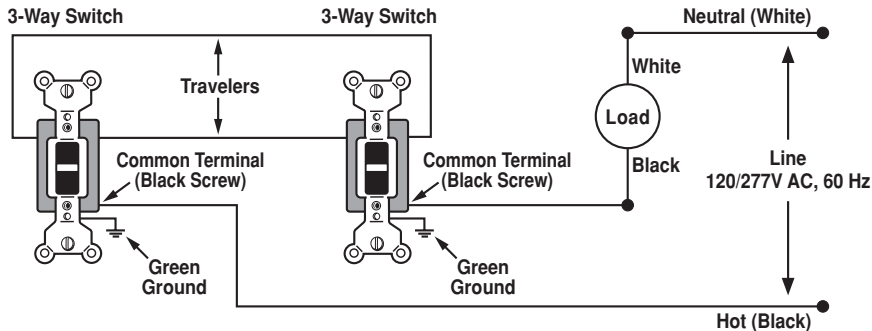
WARNING: TO BE INSTALLED AND/OR USED IN ACCORDANCE WITH APPROPRIATE ELECTRICAL CODES AND REGULATIONS.

WARNING: IF YOU ARE NOT SURE ABOUT ANY PART OF THESE INSTRUCTIONS, CONSULT A QUALIFIED ELECTRICIAN.

WARNING: USE THIS DEVICE ONLY WITH COPPER OR COPPER CLAD WIRE. WITH ALUMINUM WIRE USE ONLY DEVICES MARKED CO/ALR OR CU/AL.

1. **WARNING:** TO AVOID FIRE, SHOCK, OR DEATH; **TURN OFF POWER** AT CIRCUIT BREAKER OR FUSE AND TEST THAT THE POWER IS OFF BEFORE WIRING!
2. Remove existing wallplate and switch or dimmer, if applicable.
3. Remove approximately 3/4" (1.9 cm) of wire insulation.
4. Connect wires per **WIRING DIAGRAM** as follows:
Loop wires clockwise 3/4 turn around terminal screws. Firmly tighten screws over wire loops. **NOTE:** Terminal screws accept up to #10 AWG copper or copper clad wire.
4. Mount device using long mounting screws provided. Mount wallplate and tighten cover screws.
5. Restore power at circuit breaker or fuse. **INSTALLATION IS COMPLETE.**

WIRING DIAGRAM



LIMITED 10 YEAR WARRANTY AND EXCLUSIONS

Leviton warrants to the original consumer purchaser and not for the benefit of anyone else that this product at the time of its sale by Leviton is free of defects in materials and workmanship under normal and proper use for ten years from the purchase date. Leviton's only obligation is to correct such defects by repair or replacement, at its option, if within such ten year period the product is returned prepaid, with proof of purchase date, and a description of the problem to **Leviton Manufacturing Co., Inc., Attn: Quality Assurance Department, 59-25 Little Neck Parkway, Little Neck, New York 11362-2591**. This warranty excludes and there is disclaimed liability for labor for removal of this product or reinstallation. This warranty is void if this product is installed improperly or in an improper environment, overloaded, misused, opened, abused, or altered in any manner, or is not used under normal operating conditions or not in accordance with any labels or instructions. **There are no other or implied warranties of any kind, including merchantability and fitness for a particular purpose**, but if any implied warranty is required by the applicable jurisdiction, the duration of any such implied warranty, including merchantability and fitness for a particular purpose, is limited to ten years. **Leviton is not liable for incidental, indirect, special, or consequential damages, including without limitation, damage to, or loss of use of, any equipment, lost sales or profits or delay or failure to perform this warranty obligation.** The remedies provided herein are the exclusive remedies under this warranty, whether based on contract, tort or otherwise.

For Technical Assistance Call:
1-800-824-3005 (U.S.A. Only)
www.leviton.com

DI-000-CS320-00A

FOLD SCHEME

LEVITON INSTRUCTION SHEET/MANUAL SPECIFICATIONS

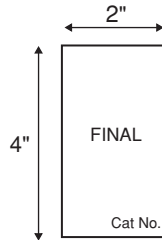
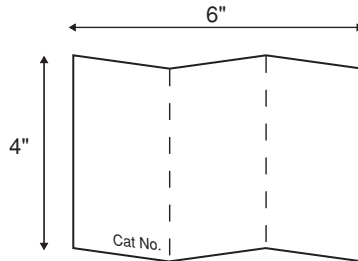
- Artwork No/Rev Level: DI-000-CS320--00A
- Color(s): Black over
 1. _____
 2. _____
 3. _____
 4. _____
- Font Families: Helvetica
- Material
Type: 50 Lb. offset
- Coating: _____
- Paper size:
Overall size: 4" X 6"
Final fold size: 4" X 2"

DOCUMENTATION

- ECO No.: N/A
- Artist: H2D Date: 6/18/07

The information in this document is the exclusive PROPRIETARY property of LEVITON MANUFACTURING COMPANY, INC. It is disclosed with the understanding that acceptance or review by the recipient constitutes an undertaking by the recipient. (1) to hold this information in strict confidence, and (2) not to disclose, duplicate, copy, modify, or use the information for any purpose other than that for which disclosed.

Copyright © 1997 Leviton Mfg. Co. Inc.
Unpublished, All Rights Reserved



— — — — — Fold Line