

Shut-Off Control Switches

Cat. No. SC-120: for 120V lighting

Cat. No. SC-277: for 277V lighting

Application

Leviton's Shut-Off Control Switches (SC-120 and SC-277) are designed for use in facilities that use "lighting sweeps" to turn off all the fixtures in a building or area. The SC-120 and SC-277 permit people to keep those individual lighting fixtures in their area "ON" that would have been switched off in the "sweep."

Operation

Shut-Off Control switches replace ordinary switches, and can be used as local on/off switches. However, they feature a special monitoring circuit that provides a "lighting sweep" function.

The "lighting sweep" function works in the following manner: At the end of the working day, a timer on the facility's lighting panel switches the lighting circuit breakers OFF for 5 seconds, then back to ON. The Leviton Shut-Off Control switches are alerted by this brief power interruption. When power is restored, they sound a 15-second beep alert and, at the end of the 15 seconds, they turn their assigned lighting OFF. The lighting will then stay off until the next morning when the facility's employees return to work, and turn lights on as they would with ordinary switches.

However, if an employee is working late, he or she can simply press the switch during the 15-second beep alert to prevent the lights in his or her area from being turned off; or the employee can press the switch after the lights go off and the lights will go on again. When the employee is finished working, simply pressing the switch plate turns lights off.

Leviton's Shut-Off Control switches will work as single-pole switches, but they can be installed in three-way or four-way applications by adding Leviton Cat. No. 6294 momentary-contact switches as slaves connected by traveller wires.



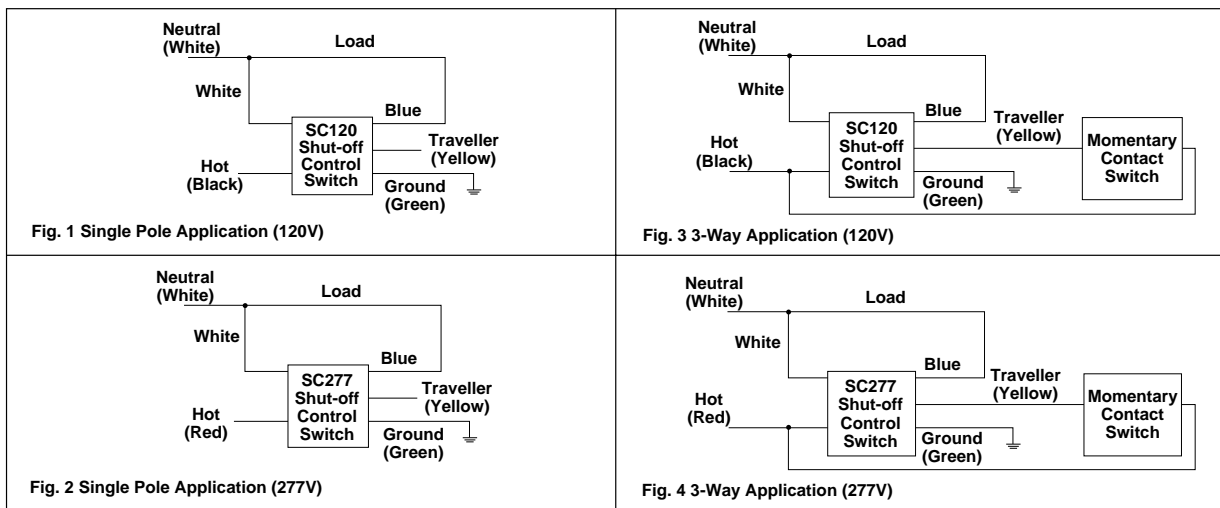
Specifications

The devices listed herein shall be Leviton Commercial Specification Grade Shut-Off Control Switches, Cat. Nos. SC-120 and SC-277, 20 Amp, incandescent and inductive, containing 5 UL recognized wires (black-line; blue-load; green-ground; white-neutral; yellow-3-way), 600V, 105° insulation. The devices shall be capable of keeping lights on in active offices and work areas after normal work hours with the tap of the switch; monitoring electrical power interruption and shutting off lights, or when a work area is unoccupied, after 5 seconds. They shall be designed for mounting in a standard single gang electrical wall box.

Features & Benefits

- Cost-effective, saves energy
- Convenient, easy-to-use
- Available in single-pole and 3-way (using optional Cat. No. 6294)
- Mounts into a standard single gang electrical wall box
- UL Listed
- CSA Certified
- Complies with California Title 24 Energy Code
- NOM Certified
- Red LED indicator light
- Snap-on Ivory and White wallplates in package
- Limited 2-Year Warranty

Wiring Diagrams



Electrical Requirements

- SC-120 Load Rating: 20A (Incandescent, Ballast, Resistive)
 Input Power: 120V AC± 10%, 60 Hz
 Power Consumption: 4.8W
- SC-277 Load Rating: 20A (Incandescent, Ballast, Resistive)
 Input Power: 277V AC ± 10%, 60Hz
 Power Consumption: 11.8W

Material Characteristics

Environmental: Flammability, Rated 94V2
 Operating: -10°C to 50°C
 Non-Operating Temperature: -18°C to 70°C

Installation

Both Cat. No. SC-120 and SC-277 may be mounted in a standard single gang electrical wallbox or ganged with other devices.

For Technical Assistance Call: 1-800-824-3005



Leviton Manufacturing Co., Inc., E.D. Division, Leviton Manufacturing Co., Inc.

59-25 Little Neck Parkway, Little Neck NY 11362-2591 1-800-323-8920 • FAX 1-800-832-9538

Visit Leviton's Web site at: <http://www.Leviton.com>

In Canada, contact: Leviton Manufacturing of Canada, Ltd., 165 Hymus Blvd. Pointe Claire, Quebec H9R 1E9

514-954-1840 • FAX: 1-514-954-1853

Tech Line in Canada: 1-800-469-7980 • FAX 1-800-563-1853

