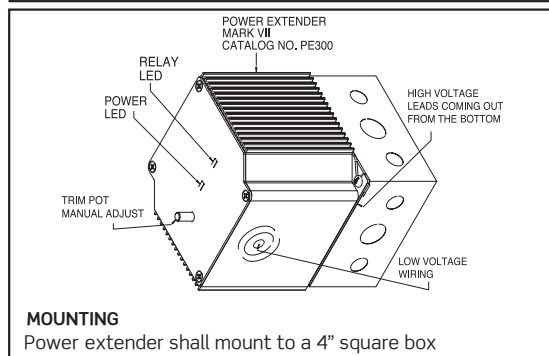
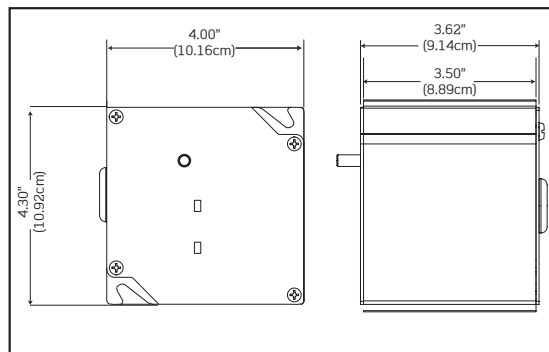


# PE300 Power Extender



## DIMENSIONS & MOUNTING



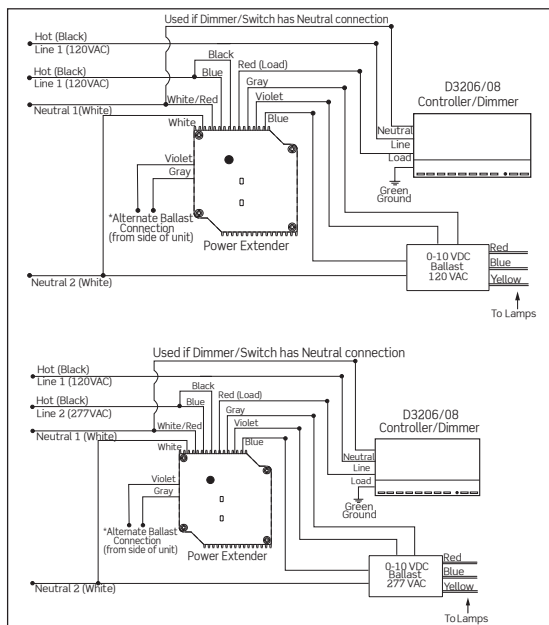
## DESCRIPTION

Leviton's PE300 Power Extender allows a dimming zone's power handling capacity to be extended to full control of a 20A circuit. The PE300 will drive 0-10VDC dimmable fluorescent ballasts such as Advance Mark VII 0-10V, OSRAM Sylvania Quicktronic Helios or equivalent ballasts.

## FEATURES

- Works with low-voltage non-dimmable and dimmable electronic ballasts, such as Advance Mark VII 0-10V, OSRAM Sylvania Quicktronic Helios or equivalent ballasts
- Low-end trim available for setting the minimum brightness level
- The PE300 will emulate the characteristics of the dimmer that it is connected to in terms of dimming range and resolution
- Works with any Dimensions® Multizone Controller to extend load capacity on any zone
- 0-10V Max Sink Load: 200mA (~100 ballasts)

## INSTALLATION



PE300 Power Extender

**SPECIFICATIONS**

<b>ELECTRICAL</b>	
Input Voltage	108VAC to 305VAC, 60Hz
Load Rating	20A-2400 VA@120VAC, 5500VA@277VAC Fluorescent
Power Consumption	6W@120VAC max, 18W@277VAC max
Dimmer Input	120V 60Hz
Testing/Code Compliance	UL Listed, CSA Certified and FCC Part 15
<b>PHYSICAL</b>	
Color	Metallic silver
Size	4.3"L x 4.0"W x 3.6"H (10.92cm x 10.16cm x 9.14cm)
<b>ENVIRONMENTAL</b>	
Operating Temperature Range	32°F to 151°F (0°C to 55°C)
Storage Temperature Range	14°F to 185°F (-10°C to 85°C)
Relative Humidity	20%-90% non-condensing
<b>COMPATABILITY</b>	
For Box-Mounted Dimmers	Must use a 120V, 600W Incandescent version from the following families: IllumaTech™, Mural™, True Touch™, ToggleTouch™, TouchPoint™ and Home Controls
For Monet™ Installations	Use a 120V, 600VA Monet Magnetic Low Voltage dimmer (requires a Neutral wire)
For dimmers that include a Neutral wire (such as some scene-capable dimmers)	The dimmer Neutral wire must be connected
For Architectural Systems	Works with all families
<b>OTHER</b>	
Warranty	Limited 2-Year warranty

**ORDERING INFORMATION**

CAT. NO.	DESCRIPTION
PE300-D0W	Power Extender, 120 or 277V input, 120V 2400VA Output (or 277V 5500VA) for 0-10VDC Electronic Ballasts

PE300 Power Extender

**Leviton Manufacturing Co., Inc. Lighting & Energy Solutions**

20497 SW Teton Avenue, Tualatin, OR 97062 • Tele: 1-800-736-6682 • FAX: 503-404-5594 • Tech Line (6:00AM-4:00PM P.S.T. Mon-Fri): 1-800-959-6004

**Leviton Manufacturing Co., Inc. Global Headquarters**

201 N. Service Rd. Melville, NY 11747-3138 • Tech Line: 1-800-824-3005 • Fax: 1-800-832-9538

**Leviton Manufacturing of Canada, Ltd.**

165 Hymus Boulevard, Pointe Claire, Quebec H9R 1E9 • Telephone: 1-800-469-7890 • FAX: 1-800-563-1853

**Leviton S. de R.L. de C.V.**

Lago Tana 43, Mexico DF, Mexico CP 11290 • Tel. (+52) 55-5082-1040 • FAX: (+52) 5386-1797 • www.leviton.com.mx

Visit our Website at: [www.leviton.com/les](http://www.leviton.com/les)