

# GreenMAX® Relay Modules

## Offers Latching, Dimming and Daylight Harvesting Capabilities



- 25,000A Short Circuit Current Rating (SCCR) at 277VAC
- Rated at 30A General Fluorescent Ballast and 20A Incandescent, HID, Electronic Ballast
- All Models are Latching Relays with Manual Actuator
- Exclusive 0-10VDC (sinking) Dimming Relay Module for Daylight Harvesting for compatible Fluorescent and LED drivers
- CA Title 24 2013 Compliant and Listed

The Leviton line of GreenMAX® Relay Modules offers features and performance not available from any competing product on the market today. For increased reliability and durability, GreenMAX Relay Modules have a 25,000A Short Circuit Current Rating (SCCR) at 277VAC. All GreenMAX Relay Modules are 1-pole or 2-pole latching relay types that reduce parasitic energy use. All relay modules are the same physical size, allowing the optimal mix of relays to be customized for each application. Models include a basic control relay module, a Return To Closed relay module, and a self-contained 0-10VDC (sinking) dimming relay module that features daylight harvesting capabilities.

All relays must be used in a GreenMAX system cabinet.

### APPLICATIONS

- Heavy retrofit applications
- New construction projects
- Government facilities
- Office buildings
- Hospitals/medical offices
- Universities
- Restaurants
- Large campuses
- Any other location requiring Daylight Harvesting and Demand Response

### FEATURES

- All GreenMAX relay modules have a 25,000A at 277VAC Short Circuit Current Rating (SCCR) for increased reliability and durability
- Rated at 30A general fluorescent ballast and 20A incandescent for all GreenMAX relays
- All relays are latching with a manual actuator to reduce parasitic energy waste over NO/NC relays
- Manual actuation lever on all GreenMAX relays allow users to manually turn lights ON or OFF without a CPU or power
- No exposed printed circuit boards or components. The encased plastic housing provides the perimeter of safety. Wire terminations are safely contained within the plastic housing. Wires connect directly to terminators rather than terminals that are soldered to a circuit board, which are prone to breaking connections to the board
- Self-contained 20A, 0-10VDC (sinking) Dimming relay module in 1-pole configurations features daylight harvesting capabilities
- Conductors for the 20A, 0-10VDC (sinking) Dimming relay circuit must be run in the Line and Load conductor area in the GreenMAX cabinet. The insulation of these conductors must be in compliance with all applicable electrical codes. The NEC will allow this condition if the insulation of the low voltage wires is rated for the highest voltage available in the compartment

**SPECIFICATIONS**

**Environmental**

- Ambient Temperature Range: 32°F - 122°F (0°C - 50°C)
- Relative Humidity: < 90% non-condensing

**Listings**

- UL916, UL508, UL924, cUL, CA Title 24 2013 Compliant and Listed, ASHRAE 90.1 compliant

**Warranty**

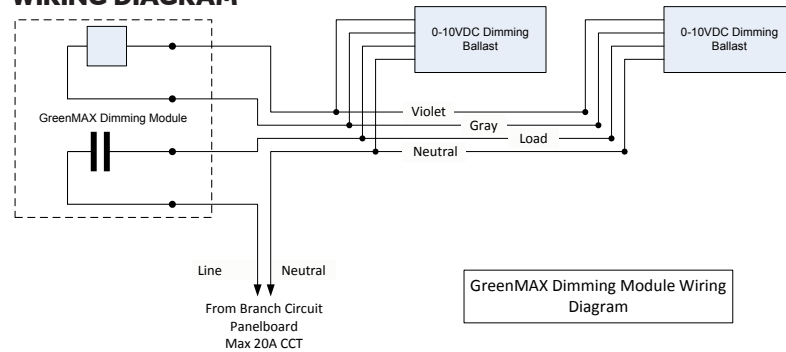
- Relay Modules backed by 10-year warranty

**ORDERING INFORMATION**

CAT. NO.	DESCRIPTION	LOAD RATINGS
<b>SINGLE POLE RELAYS</b>		
RELAY-1CB	Return to Closed (RTC) Latching Relay	24-277VAC, 347VAC, 20A Tungsten Halogen Incandescent, 20A Electronic Ballast and HID 24-277VAC, 347VAC, 30A Magnetic Ballast, 20A Electronic Ballast, 120VAC 1/2 Hp Motor, 277VAC 1 Hp Motor, 240VAC 1Hp Motor Wire Range: #14 - #6 AWG Copper, Torque 16 in.-lbs. 25,000A SCCR Rating at 277VAC
RELAY-1TB	Latching Relay	24-277VAC, 347VAC, 20A Tungsten Halogen Incandescent, 20A Electronic Ballast and HID 24-277VAC, 347VAC, 30A Magnetic Ballast, 20A Electronic Ballast, 120VAC 1/2 Hp Motor, 277VAC 1 Hp Motor, 240VAC 1Hp Motor Wire Range: #14 - #6 AWG Copper, Torque 16 in.-lbs 25,000A SCCR Rating at 277VAC
RELAY-1DS	Dimming and Switching Latching Relay	24-277VAC, 347VAC, 20A 0-10V (sinking) Dimming Fluorescent and LED Driver Wire Range #14 - #6 AWG Copper, Torque 16 in.-lbs. Control Wire Range: #14 - 12 AWG Copper, Torque 14 in.-lbs. Maximum 0-10VDC (sinking) Dimming control circuit load: 200mA 25,000A SCCR Rating at 277VAC
<b>DOUBLE POLE RELAYS</b>		
RELAY-2CB	Return to Closed (RTC) Latching Relay	208/240/480/600VAC, 20A Tungsten Halogen Incandescent, 20A Electronic Ballast and HID 208/240/480/600, 30A Magnetic Ballast, 20A Magnetic Ballast, 208/240VAC 1Hp Motor Wire Range: #14 - #6 AWG Copper, Torque 16 in.-lbs.
RELAY-2TB	Latching Relay	208/240/480/600VAC, 20A Tungsten Halogen Incandescent, 20A Electronic Ballast and HID 208/240/480/600, 30A Magnetic Ballast, 20A Magnetic Ballast, 208/240VAC 1Hp Motor Wire Range: #14 - #6 AWG Copper, Torque 16 in.-lbs.
RELAY-BFM	Blank Filler Module	-

GreenMAX® Relay Modules

**WIRING DIAGRAM**



**Leviton Manufacturing Co., Inc. Lighting & Energy Solutions**

20497 SW Teton Avenue, Tualatin, OR 97062  
 Telephone: 1-800-736-6682 • FAX: 503-404-5594 • Tech Line (6:00AM-4:00PM P.S.T. Monday-Friday): 1-800-959-6004

**Leviton Manufacturing of Canada, Ltd.**

165 Hymus Boulevard, Pointe Claire, Quebec H9R 1E9 • Telephone: 1-800-469-7890 • FAX: 1-800-563-1853

**Leviton S. de R.L. de C.V.**

Lago Tana 43, Mexico DF, Mexico CP 11290 • Tel. (+52) 55-5082-1040 • FAX: (+52) 5386-1797 • www.leviton.com.mx

Visit our Website at: [www.leviton.com/les](http://www.leviton.com/les)

© 2014 Leviton Manufacturing Co., Inc. All rights reserved. Subject to change without notice.