

EZ-MAX® Plus Relay Control Panels

Integrated building lighting control in a contractor friendly, quick to install and simple to configure compact enclosure

DEFINITION

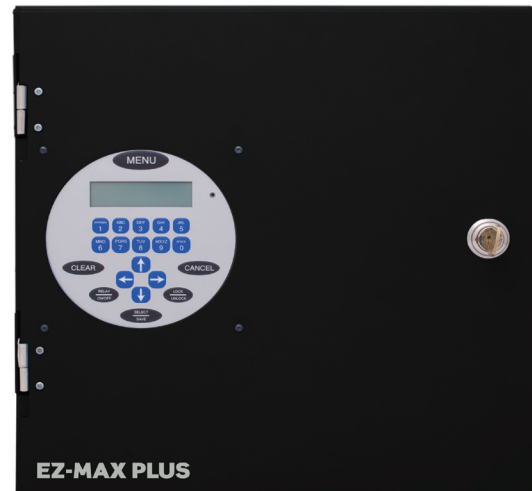
EZ-MAX Plus relay lighting control panels deliver power and performance in compact and cost-effective 8-circuit and 16/24-circuit models. EZ-MAX Plus is the ideal solution for smaller, stand-alone applications that do not require the field configuration or advanced networking features like GreenMAX® Relay Control Systems.

The EZ-MAX Plus switching circuit offers an unprecedented 1,000,000 cycle life for unmatched durability. For maximum equipment protection, the standard 30A latching relay card has a short circuit current rating (SCCR) of 18,000A to allow it to withstand higher current inrushes caused by short circuit conditions. Low-voltage inputs allow connection of photocells, occupancy sensors, low-voltage switches and digital switches for a comprehensive yet easily installed energy management solution.

Designed in a compact, 13" x 13" (8-circuit model) or 20-1/4" x 34" (16/24-circuit model) standard electrical enclosure, EZ-MAX Plus is engineered to be contractor friendly, quick to install and simple to configure.

APPLICATIONS

- Smart replacement for time clock/contactor installations
- Low-voltage control
- Site lighting
- Daylight harvesting
- Occupancy sensor integration
- Parking garage/parking lot lighting
- Any application requiring reliable and cost-effective automatic lighting control

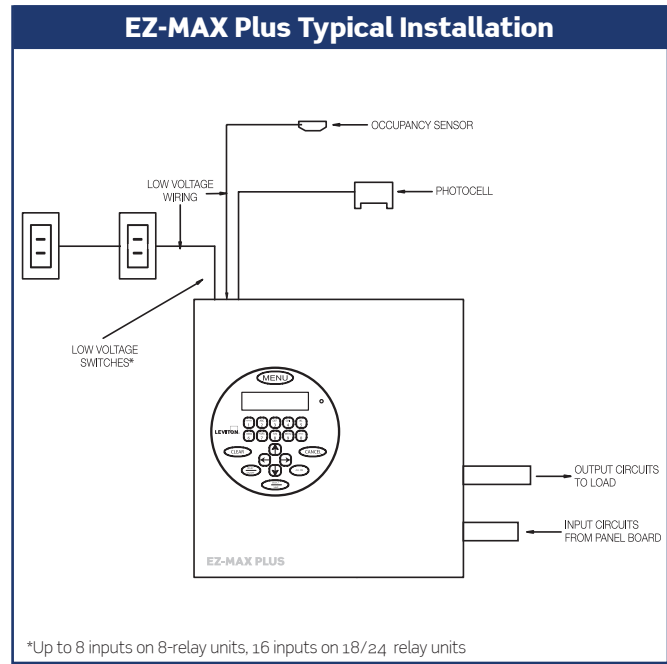


FEATURES

- Easy programming alternatives
 - Off-line editor for easy programming (Visual Programmer 4.0 included)
 - Large, bright LCD screen with oversize buttons for easy programming
- Easy standard programming configuration
 - Occupancy sensors: manual-ON or auto-ON applications
 - Photocells: interior or exterior applications
 - Photocell light level trip points: on or off
- Built-in astronomical time clock
 - 101 major city and states programmed for easy astronomical setup
- Time clock and scheduler
- Sunrise/sunset time clock events
- Auto-detection/auto-assign of installed digital switches
- Enable/disable of low-voltage and digital input devices minimizes power consumption
- Clearly labeled access points allow installer to locate optimum knock-out locations
- UL and C-UL Listed Industrial Control Equipment and Emergency Lighting Equipment for 120V, 277V and 347V Panels
- ASHRAE 90.1 compliant
- CA Title 24 2013 compliant
- Rated for 100% load capacity

EZ-MAX® PLUS RELAY CONTROL PANELS

SPECIFICATIONS	
ELECTRICAL	
Input Power (Domestic): 120V, 277V or 347V	
Input Power (International): 230V +/- 15%	
All voltages 50/60Hz	
Non-volatile lifetime memory blackout protection	
PHYSICAL	
8-Circuit EZ-MAX Plus	
Size: 13" W x 13" H x 4-9/32" D (330.20 mm x 330.20 mm x 108.74 mm)	
Weight - fully loaded: 16 lbs (7.26 kg)	
Color: Black	
16/24-Circuit EZ-MAX Plus	
Size: 20-1/4" W x 34" H x 4-9/32" D (514.35 mm x 863.6 mm x 108.74 mm)	
Weight - fully loaded: 44 lbs (19.96 kg)	
Color: Black	
WARRANTY	
• Panels backed by Two-Year Warranty	
• Relay Cards backed by Two-Year Warranty	



ORDERING INFORMATION

CAT. NO.	DESCRIPTION
Ro8BD-000	EZ-MAX Plus 8 Relay Panel, (0) No Relays, (8) empty slots. 120V, 277V, 347V input power. With 8 Low Voltage Inputs
Ro8BD-Lo4	EZ-MAX Plus 8 Relay Panel, (4) 1-Pole 30A 120V/277V Relays, (4) empty slots. 120V, 277V, 347V input power. With 8 Low Voltage Inputs
Ro8BD-Lo8	EZ-MAX Plus 8 Relay Panel, (8) 1-Pole 30A 120V/277V Relays. 120V, 277V, 347V input power. With 8 Low Voltage Inputs
Ro8BD-208	EZ-MAX Plus 8 Relay Panel, (8) 2-Pole 20A 240V/480V Relays. 120V, 277V, 347V input power. With 8 Low Voltage Inputs
R24BD-000	EZ-MAX Plus 24 Relay Panel, (0) No Relays, (24) empty slots. 120V, 277V, 347V input power. With 12 Low Voltage Inputs
R24BD-L16	EZ-MAX Plus 24 Relay Panel, (16) 1-Pole 30A 120V/277V Relays, (8) empty slots. 120V, 277V, 347V input power. With 12 Low Voltage Inputs
R24BD-L24	EZ-MAX Plus 24 Relay Panel, (24) 1-Pole 30A 120V/277V Relays. 120V, 277V, 347V input power. With 12 Low Voltage Inputs
R24BD-216	EZ-MAX Plus 24 Relay Panel, (16) 2-Pole 20A 240V/480V Relays, (8) empty slots. 120V, 277V, 347V input power. With 12 Low Voltage Inputs
R24BD-224	EZ-MAX Plus 24 Relay Panel, (24) 2-Pole 20A 240V/480V Relays. 120V, 277V, 347V input power. With 12 Low Voltage Inputs
Ro8BF-000	EZ-MAX Plus 8 Relay Panel, (0) No Relays, (8) empty slots. 230V input power. With 8 Low Voltage Inputs
Ro8BF-Lo8	EZ-MAX Plus 8 Relay Panel, (8) 1-Pole 30A 120V/230V/277V Relays. 230V input power. With 8 Low Voltage Inputs
R24BF-000	EZ-MAX Plus 24 Relay Panel, (0) No Relays, (24) empty slots. 230V input power. With 12 Low Voltage Inputs

ACCESSORIES*

RAC00-2SB	Low Voltage Switch Adapter for GE 5-wire switches
00LVS-xxW**	xx Button, Low Voltage Switch, White
ZMDSW-xxW**	xx Button, Digital Switch, White
PCOUT-000	Outdoor Photocell, 0-10V, 0-250 fc
PCIND-000	Indoor Photocell, 0-10V, 0-100 fc
PCATR-000	Atrium Photocell, 0-10V, 0-1000 fc
PCSKY-000	Skylight Photocell, 0-10V, 0-2000 fc
RELAY-L30	EZ-MAX Relay 1-Pole 30A NO/NC, with handle, 120VAC/230VAC/277VAC, 18K SCCR
RELAY-2PL	EZ-MAX Relay 2-Pole 20A NO, 240VAC/480VAC
RELAY-347	EZ-MAX Relay 1-Pole 20A NO, 347VAC

* For a complete range of occupancy sensors for use with EZ-MAX Plus, refer to www.leviton.com/cenergyproducts.

** xx = 1, 2, 3, 4, 5, 6, 8, 10 Button Switch

Leviton Mfg. Co., Inc. Lighting & Energy Solutions