

LevNet RF™ 902 MHz Passive Infrared (PIR) Surface Mount Occupancy Sensor

For use with LevNet 902 MHz RF Receivers



BASIC OPERATION

The LevNet RF™ 902 MHz PIR Surface Mount Occupancy Sensor (WSC12) has built-in solar cells that draw on available ambient light to power themselves and can operate for up to 80 hours in total darkness. Batteries are not required.

For improved detection, the sensor uses an enhanced PIR element located directly behind a unique multi-zone optical lens. This exclusive Fresnel lens establishes twice as many zones of detection as traditional sensors.

The self-powered wireless sensor design also overcomes the placement and coverage challenges of traditional sensors. Self-powered wireless sensors enable flexible placement, allowing sensors to be mounted where needed without the complexity of moving or installing new wiring.

APPLICATIONS

- Retrofits
- New construction
- Restrooms
- Conference rooms
- Classrooms
- Private offices
- Executive offices
- Daycare facilities
- Restaurant
- Houses of worship
- Shop/Garage
- Gym
- Restaurant



Leviton Mfg. Co., Inc. Lighting & Energy Solutions

201 N. Service Rd. Melville, NY 11747-3138 Tech Line: 1-800-824-3005 Fax: 1-800-832-9538 www.leviton.com/les
 © 2015 Leviton Manufacturing Co., Inc. All rights reserved. Subject to change without notice.

FEATURES

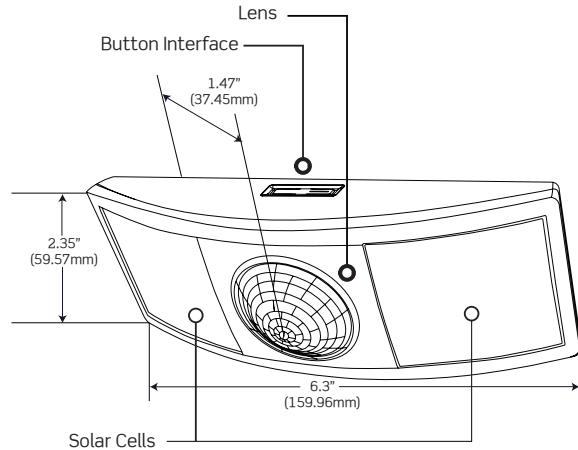
- **Zero Power Consumption** — solar cells provide the energy to keep the device on and sensor technology turns the lights off, eliminating additional expenses to the end user's energy bill
- **Zero Wiring Required** — no wire limitations enable the installer to place the sensor in the optimal location of any application to capture minor motion and enhance performance
- **Self-Powered, Self-Charging** — angled solar cells are optimal for light collection, enabling the sensor to capture additional ambient (natural and artificial) light over flat solar cells 9FC vs. 6-7FC (100 LUX vs. 64-75 LUX)
- **Rapid Charge Time to Operation** — self-powered technology enables the sensor to be operational after a minimum charge time of 1 minute
- **True Wireless** — sensors are self-powered and communicate with all LevNet RF and EnOcean® Receivers via a 902 MHz radio frequency
- **No Additional Wiring** — self-powered wireless technology eliminates the need to pull additional wire, making installation quick and easy and increasing labor savings with little to no impact to business during conversion
- **Up to 80 Hours of Stored Power** — solar cells provide up to 80 hours of power to the sensor when no ambient light is available (for extended "OFF" time, an optional battery can be inserted)
- **Advanced Field-of-View** — superior detection for parallel and perpendicular motion; innovative technology detects motion moving directly towards the sensor; 360° rotation to fine-tune the location of solar cells and field-of-view
- **Improved Aesthetics** — blends seamlessly with ceiling décor and architecture
- **Additional Energy Savings** — wireless technology supports manual override options with no additional wiring

LevNet RF™ 902 MHz Passive Infrared (PIR) Surface Mount Occupancy Sensor

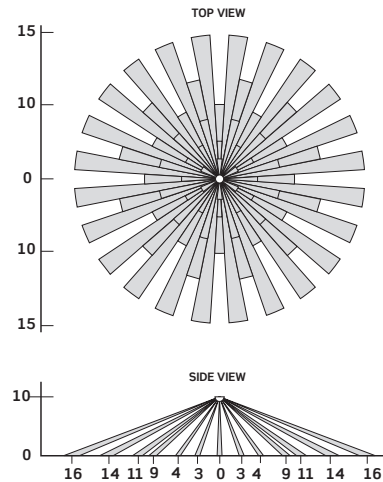
PRODUCT DATA



DIMENSIONS



FIELD-OF-VIEW (IN FEET)



SPECIFICATIONS

ENVIRONMENTAL	
Range	50-150'
Frequency	902 MHz
Memory	Stores up to 20 transmitter IDs
Minimum Light Required	4.64FC (50 LUX) for Auto-OFF only
Minimum Charge Time to Begin Operation	1 minute @ 20FC (200 LUX)
Maintain Charge Time	3 hours per 24 hours @ 20FC (200 LUX)
Full Time to Charge	25 hours @ 20FC (200 LUX)
Operating Life at Full Charge	3.3 days
Battery Life CR2032 (optional)	7-10 hours
Storage Temperature Range	14-104°F (-10-40°C)
Operating Temperature Range	32-122°F (0-50°C)
Relative Humidity	20% - 95%, non-condensing
Usage	Indoors only
Mounting Height	7-10'
OTHER	
Listings	CA Title 24, FCC Certified for Wireless Communication (U.S.), I.C. Certified (Canada) FCC ID: SZV-STM300U IC: 5713A-STM300U
Warranty	Limited Five-Year

ORDERING INFORMATION

CAT NO	DESCRIPTION
WSC12-M9N	LevNet RF Wireless 902 MHz PIR Low Profile Surface Mount Occupancy Sensor

Contact Leviton for a complete list of LevNet RF 902 MHz self-powered wireless solutions. The line includes wall switch receivers, line-voltage relay receivers and more.

Leviton Manufacturing Co., Inc. Global Headquarters

201 N. Service Rd. Melville, NY 11747-3138 Tech Line: 1-800-824-3005 Fax: 1-800-832-9538

Leviton Manufacturing Co., Inc. Lighting & Energy Solutions

20497 SW Teton Avenue, Tualatin, OR 97062 Tel: 1-800-736-6682 • Tech Line: 1-800-959-6004 (6:00-4:00 Monday-Friday) • Fax: 503-404-5594

Leviton Manufacturing of Canada, Ltd.

165 Hymus Boulevard, Pointe Claire, Quebec H9R 1E9 • Telephone: 1-800-469-7890 • FAX: 1-800-563-1853

Leviton S. de R.L. de C.V.

Lago Tana 43, Mexico DF, Mexico CP 11290 • Tel. (+52) 55-5082-1040 • FAX: (+52) 5386-1797 • www.leviton.com.mx

Visit our Website at: www.leviton.com/les

© 2015 Leviton Manufacturing Co., Inc. All rights reserved. Subject to change without notice.