

WSTLT-9D0 Control Transmitter

Installation Guide

Use the Control Transmitter to wirelessly bridge control from one circuit to another. The Control Transmitter monitors any line voltage circuit and broadcasts the status to wirelessly control one or more circuits connected to compatible receivers. Use the Control Transmitter with hardwired switches, occupancy sensors or light sensors to extend the controlling capacity of the sensors beyond the wires.

SPECIFICATIONS

Electrical

Power Input: 100-277 VAC 50/60 Hz
Standby power: <0.5W @ 120VAC
Max Power use: <0.5W @ 120VAC

Outputs

Wireless Control Signal

Inputs

Power

Wireless

Range: 50-150 feet (typical)
Frequency: 902 MHz

Transmit EEP

A5-3F-01, (default)
MENU button to transmit Link packet

Mechanical

Dimensions 2.11 x 1.73 x 1.09 inches
(54 x 44 x 28 mm)

Operating Specifications

Operating Temp: 32° to +122°F (0° to +50°C)
Storage Temp: -4° to +176°F (-20° to +80°C)
Humidity: 10-95% non-condensing

Certifications

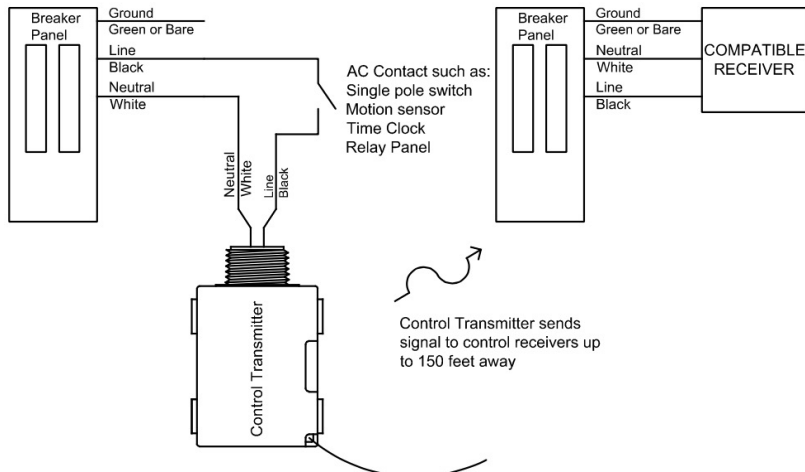
ETL: UL 60730 (U.S.)
ETL: CSAc22.2#14-05 (Canada)
CE: IEC 60730
ETL: UL 2043 (Plenum)
IEC61000-4-5 (Surge)
FCC: SZV-STM300U (United States)
IC: 5713A-STM300U (Canada)

Package Contents

(1) Relay Power pack
(1) Instruction Sheet

Equipment Needed

• Wire Nuts/connectors
• Electrical Tape



CAUTION:

- This product is intended only for use indoors and in dry locations.
- It may be more convenient to link the wireless controls to the Control Transmitter prior to final installation.
- Install and use in accordance with these instructions, electrical codes and regulations.
- If unsure about any part of these instructions, consult an electrician.

CHOOSE THE OPTIMAL MOUNTING LOCATION

The long term reliability and wireless performance of the Relay is strongly influenced by the mounting location.

Choose a mounting location carefully. For best radio performance:

- Straighten antenna out and away from metal.
- Create separation distance away from interfering electronics such as fluorescent tube ends, electronic transformers/power supplies, motors, etc.
- Avoid mounting inside metal enclosures.
- Obstructions of metal, concrete and dense building materials will reduce the range. Mount higher and away from obstructions to maximize the range.
- Confirm operating environment does not exceed temp. or humidity specifications..
- Site survey tools are available to help fine-tune wireless communications.

INSTALLATION

1. **PLAN** - Identify best mounting locations for receiver and transmitter. Perform range test to confirm operation prior to installation. Switch OFF breaker before making connections.
2. **CONNECT** - Connect the Control Transmitter to circuit following wiring diagram and local electrical codes. Restore power.
3. **LINK** - Follow Instructions provided with receiver. Press and release MENU button to send Link signal.
4. **TEST** - Use Communication Test Mode (below) to test operation

LINKING INSTRUCTIONS

Refer to the Receiver installation guide for Linking instructions. Press and release the MENU button to send a Link signal during the linking process.

SENSOR LINK TEST MODE

Some receivers support Sensor Link Test Mode. If supported, after Linking, press the MENU button on the Control Transmitter 5 times to activate the Link Test Mode in any linked receivers. Subsequent presses of the MENU button will cause receivers to toggle: 1) to confirm that the Control Transmitter is linked and 2) to test the reliability of wireless communications. Receivers will time out of Link Test Mode after 60 seconds of inactivity.