

Series 3500 Meter Kits with Ethernet Communications



DEFINITION

The Leviton Series 3500 Meter is a revenue-grade kWh electrical meter featuring Time of Use (TOU) meter readings, per-phase meter data, and a user-friendly LCD display. The Series 3500 Meter is designed for use on both 3-phase, 3-wire (Delta) and 3-phase, 4-wire (WYE) circuits, and features multi-function universal voltage.

The Leviton Series 3500 Meter is a highly accurate, 0.5% accuracy class kWh/demand meter. Offering a full range of electrical parameter measurement—kVA and kVAR, PF, per phase voltage, etc., this meter is ideally suited to commercial and industrial applications where advanced communications protocols are demanded. As an Ethernet-enabled product, the Series 3500 meter can be configured for Modbus TCP/IP for easy integration into existing Modbus networks. The meter can also be configured for BACnet IP to meet the requirements of today's Direct Digital Control based Building Automation Systems. In addition to the advanced protocols, the Series 3500 Meter comes standard with an Isolated Pulse output as an additional communication capability.

A highly accurate, multi-function smart meter, the Leviton Series 3500 Meter offers seamless integration into the advanced building control and management systems in today's market.

APPLICATIONS

Use Series 3500 Meters in commercial, institutional, industrial and government applications for:

- Load profiling and benchmarking
- AMR/BAS/BMS/EMS integration
- Usage aggregation
- Tenant cost allocation
- Measurement and verification
- Energy conservation and cost reduction
- Green building initiatives and Government mandates

PRODUCT DATA

FEATURES

- Revenue grade accuracy: 0.5% accuracy class
- Large LCD display with scroll feature
- Indoor JIC steel and outdoor (NEMA 4X) enclosure options
- Up to three sets of CTs paralleled with no multipliers
- Use with split core or solid core CTs
- Installation diagnostics
- Low voltage detection
- Real time clock with battery back up for TOU reading
- UL and cUL listed energy usage monitor per CCN FTRZ

COMMUNICATIONS

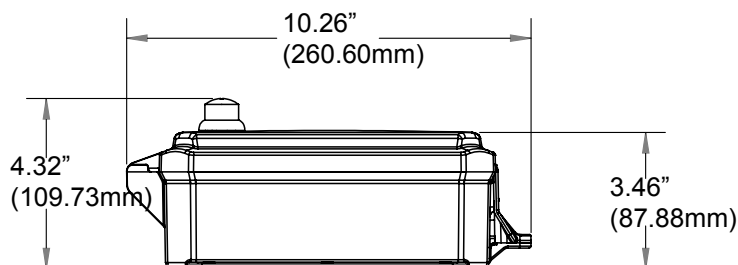
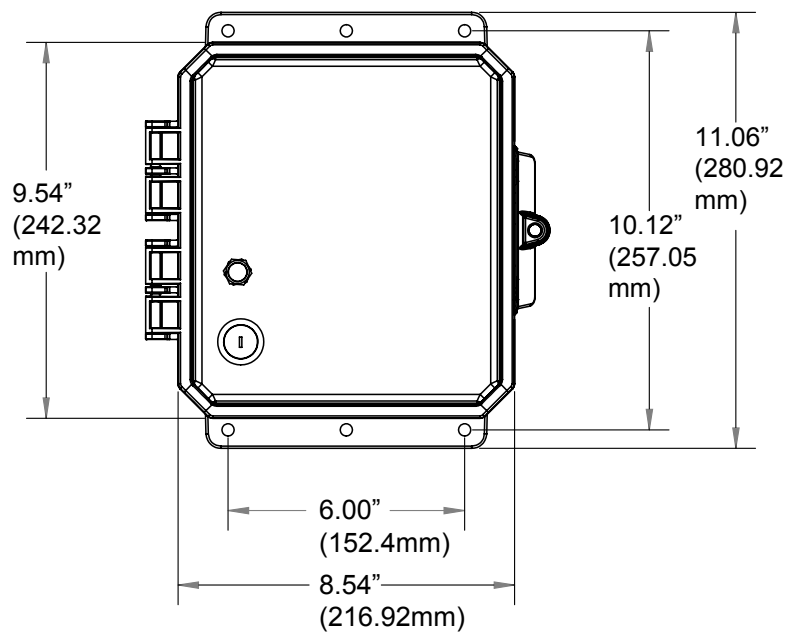
- Modbus TCP/IP or BACnet IP
- Isolated pulse output

MEASURED PARAMETERS

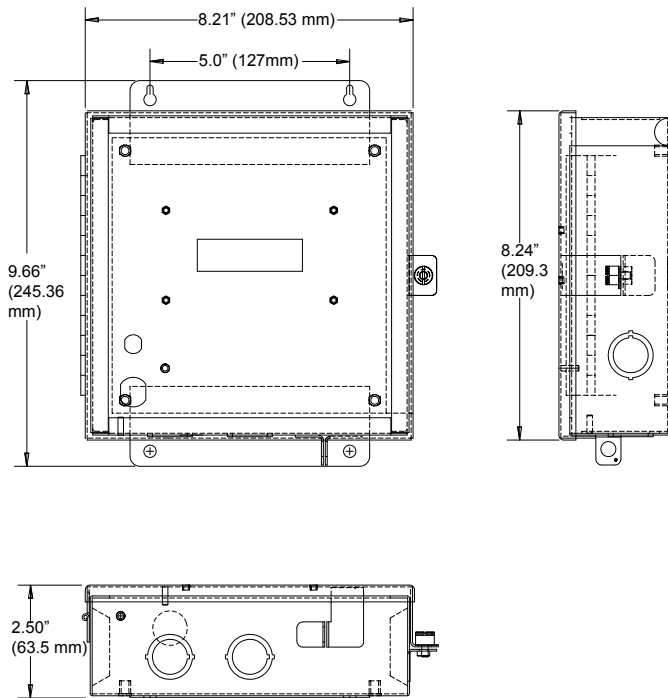
- Total Meter
 - kWh/kW
 - kVAh
 - kVA and kVAR
 - Power Factor
 - Line Frequency
 - Voltage L-L
- Per Phase
 - Voltage L-N
 - Current
 - Watts
 - VA, VAR
 - Power Factor

DIMENSIONS

SERIES 3500 OUTDOOR ENCLOSURE



DIMENSIONS
SERIES 3500 INDOOR ENCLOSURE



SPECIFICATIONS

ELECTRICAL		
	NO NEUTRAL	NEUTRAL
Input Configurations	2PH 2W 208VAC 2PH 2W 480VAC 3PH 3W 240VAC 3PH 3W 480VAC	2PH 3W 120/208VAC 3PH 4W 120/208VAC 3PH 4W 240VAC Grounded Delta 3Ph 4W 277/480VAC 3PH 4W 480VAC Grounded Delta
Supply Voltage Range (Line 1 to Line 2)	177-552VAC	
Maximum Input Power	10.2 VA Max	
Maximum Rated Current	Primary: Max Rated Current +10% Secondary: 0.11A	
Line Frequency	60Hz	
Power Factor Range	0.5 to 1.0 leading or lagging	
Accuracy*	kWh: Meter shall meet or exceed ANSI C12.1 and C12.20(0.5) All other parameters: +/- 1% of reading or registration	
Meter Operating Temperature Range	-22° to 140°F (-30°C to 60°C)	
Display Operating Temperature Range	-4°F to 122°F (-20°C to 50°C)	
TERMINAL BLOCKS		
Voltage Inputs	14AWG, 12 in-lb of torque maximum	
Current Transformer Inputs, Pulse & RS485 Outputs	14-18AWG, 4.4 in-lb of torque maximum	

PRODUCT DATA



ORDERING KEY - KITS (CURRENT TRANSFORMERS INCLUDED)



KIT TYPE
K = Indoor
O = Outdoor
 NEMA 4X

AMPERAGE RATING & CT TYPE
01 = 100A Split Core
02 = 200A Split Core
04 = 400A Split Core
08 = 800A Split Core
16 = 1600A Split Core
30 = 3000A Split Core
50 = 5000A Split Core
1S = 100A SOLID Core
2S = 200A SOLID Core
4S = 400A SOLID Core

ORDERING KEY - INDIVIDUAL METERS (CURRENT TRANSFORMERS SOLD SEPARATELY)



KIT TYPE
N = Indoor
R = Outdoor
 NEMA 4X

AMPERAGE RATING
01 = 100A
02 = 200A
04 = 400A
08 = 800A
16 = 1600A
30 = 3000A
50 = 5000A

LEVITON SPECIFICATION SUBMITTAL	
JOB NAME:	CATALOG NUMBERS:
JOB NUMBER:	

Leviton Manufacturing Co., Inc. Lighting & Energy Solutions
 20497 SW Teton Avenue, Tualatin, OR 97062 • Tel: 1-800-736-6682 • Fax: 503-404-5594 • Tech Line (6:00AM-4:00PM P.S.T. Mon-Fri): 1-800-959-6004

Leviton Manufacturing Co., Inc. Global Headquarters
 201 N. Service Rd. Melville, NY 11747-3138 • Tech Line: 1-800-824-3005 • Fax: 1-800-832-9538

Leviton Manufacturing of Canada, Ltd.
 165 Hymus Boulevard, Pointe Claire, Quebec H9R 1E9 • Telephone: 1-800-469-7890 • FAX: 1-800-563-1853

Leviton S. de R.L. de C.V.
 Lago Tana 43, Mexico DF, Mexico CP 11290 • Tel. (+52) 55-5082-1040 • FAX: (+52) 5386-1797 • www.leviton.com.mx

Visit our Website at: www.leviton.com/les