

# Series 3000 Advanced kWh Meter Kits

## Submetering Solutions for Accurate Measurement & Verification



- kWh meter with Demand Reset (standard)
- 120/208V, 277/480V, 347/600V 3 PH 4 W WYE; 208V, 240V 480V 3 PH 3 W DELTA
- 100-5000 Amps
- Advanced data meter
- Volt, amps, watts, PF and VA per phase
- ModBus RTU (RS485) and Pulse output - standard features
- Kit includes submeter and required Current Transformers (CTs)

### DEFINITION

The Leviton Series 3000 line of revenue-grade meters meets all measurement and verification-based opportunities — including smart metering and LEED rating achievement. Designed to provide a simple and effective process for accurately capturing measurements of power consumption, Series 3000 Meters are easy to specify and install for new construction and retrofits.

Leviton meters utilize highly accurate current transformers for revenue-grade performance certified to ANSI standards. Competing products use current sensors that do not provide the same level of performance. CTs come as solid core standard for high-quality, long-term accuracy and reliability. Leviton solid core CTs are cost effective and less susceptible to damage during installation. Leviton also offers split core CTs for easy installation and machined for zero gaps between the core halves. Leviton split core CTs close securely for fast, precise installation with no need for time-consuming tie wraps and no worries about improper seating or core half separation. Both solid and split core CTs offer high-quality, long-term accuracy and reliability.

Every Series 3000 Meter has a user-friendly feedback feature. They also have an energy-direction arrow (per phase energy and total energy) in the display that tells the installer or user if the meter is installed correctly. For installers, the green duty cycle light shows that the meter is collecting electrical consumption data at the appropriate rate. All 100 and 200 Amp solid core CTs have color-coded labels to easily identify and correctly land the wires at the meter.

### APPLICATIONS

Use Series 3000 Meters in commercial, institutional, industrial and government applications for:

- Load profiling and benchmarking
- AMR/BAS/BMS/EMS integration
- Power quality analysis
- Usage aggregation
- Tenant cost allocation
- Measurement and verification
- Energy conservation and cost reduction
- Green building initiatives and Government mandates

## PRODUCT DATA

### FEATURES

- Measures kWh and peak demand, instantaneous power, volts, amps, watts, VAR and VA per phase
- Conforms to all applicable standards of ANSI C12.1
- Equipped with an Isolated Pulse Output channel and ModBus RTU (RS485) for automated meter reading system interface
- ModBus RTU registers include:
  - Total Meter
    - kWh and kVARh
    - kWh, kVAR and kVA
    - Power Factor
    - Line Frequency
  - By Phase
    - Volts (Line to Neutral and Line to Line)
    - kWh, kVAR and kVA
    - Amps
    - Power Factor
- Onboard real-time clock can be synchronized remotely, and includes battery backup for power failures
- Utilizes revenue-grade 0.3% accuracy class 0.1A secondary solid core current transformers (CTs) that conform to all applicable ANSI requirements or 1% accuracy split core CTs
- Up to three sets of CTs per phase can be paralleled per meter without the need for a meter multiplier
- Enclosure options include surface mount industrial grade JIC steel (indoor) and NEMA 4X (outdoor)
- Large custom LCD display with scroll button
- Arrows on the custom display indicate load direction; the arrows flash when load current is greater than zero
- CT lead length maximum: 48"
- UL and cUL Listed Energy Usage Monitor per CCN FTRZ
- Ten year warranty

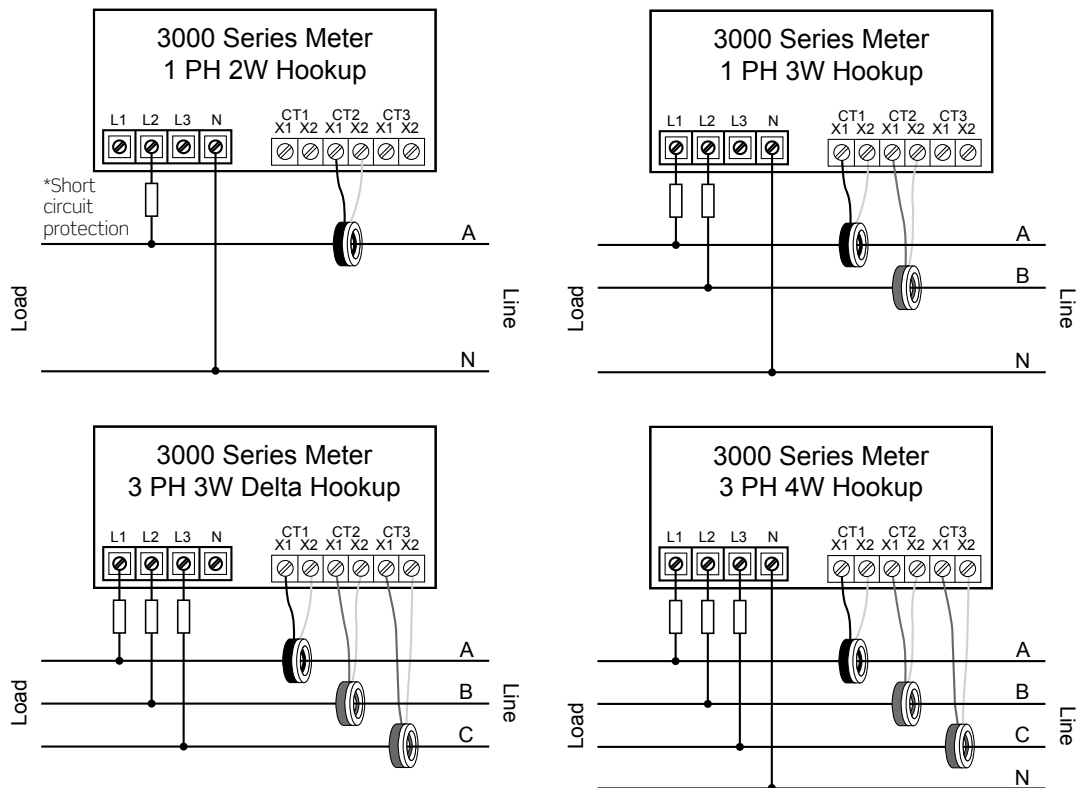
### CONFIGURATIONS

| AMPERAGES | PHASE/VOLTAGES                            |
|-----------|---|
| 100-5000A | 1Ø/2W - 120V or 277V                      |
| 100-5000A | 1Ø/3W - 120/208/240V or 277/480V          |
| 100-5000A | 3Ø/3W - 240V or 480V                      |
| 100-5000A | 3Ø/4W - 120/208V or 277/480V or 347/600V* |

**NOTE:** All meters operate at 50/60Hz.

\* For Canadian use only.

### HOOKUP DIAGRAMS



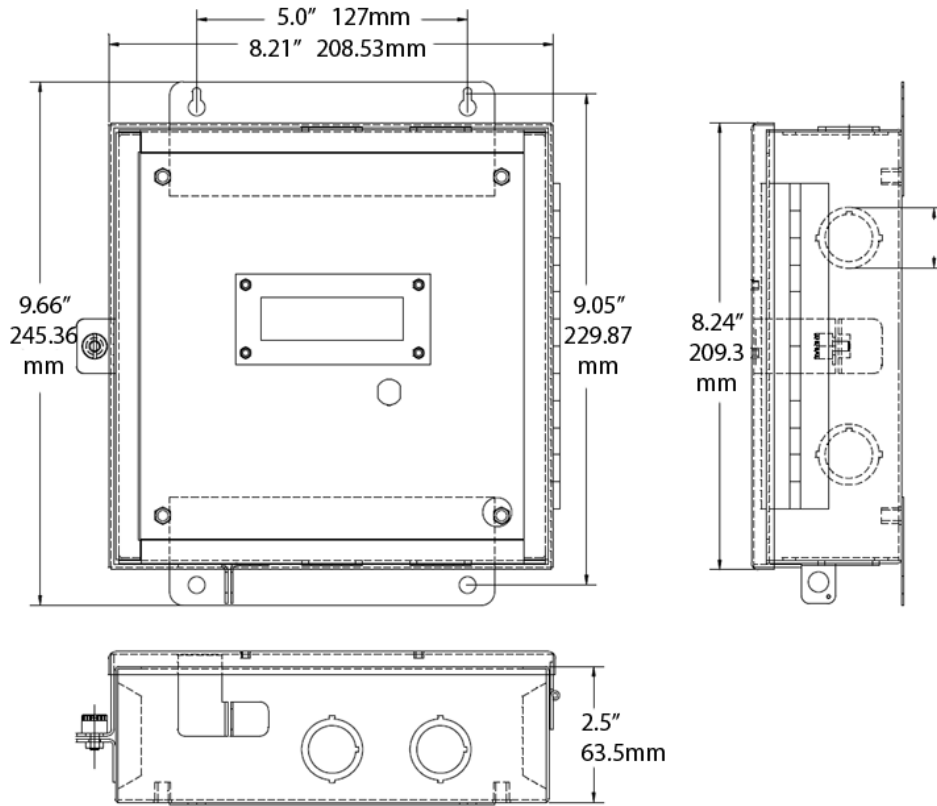
Leviton recommends solid core transformers (CTs) for revenue-grade billing. Our 100A and 200A color coded CTs assist with correct installation by indicating phase monitored. Split core CTs are also available upon request for applications where power cannot be interrupted during installation. Our 100-5000 Amp Split Core CTs offer +/-1% accuracy.

\*Short circuit protection per NEC and local codes by others

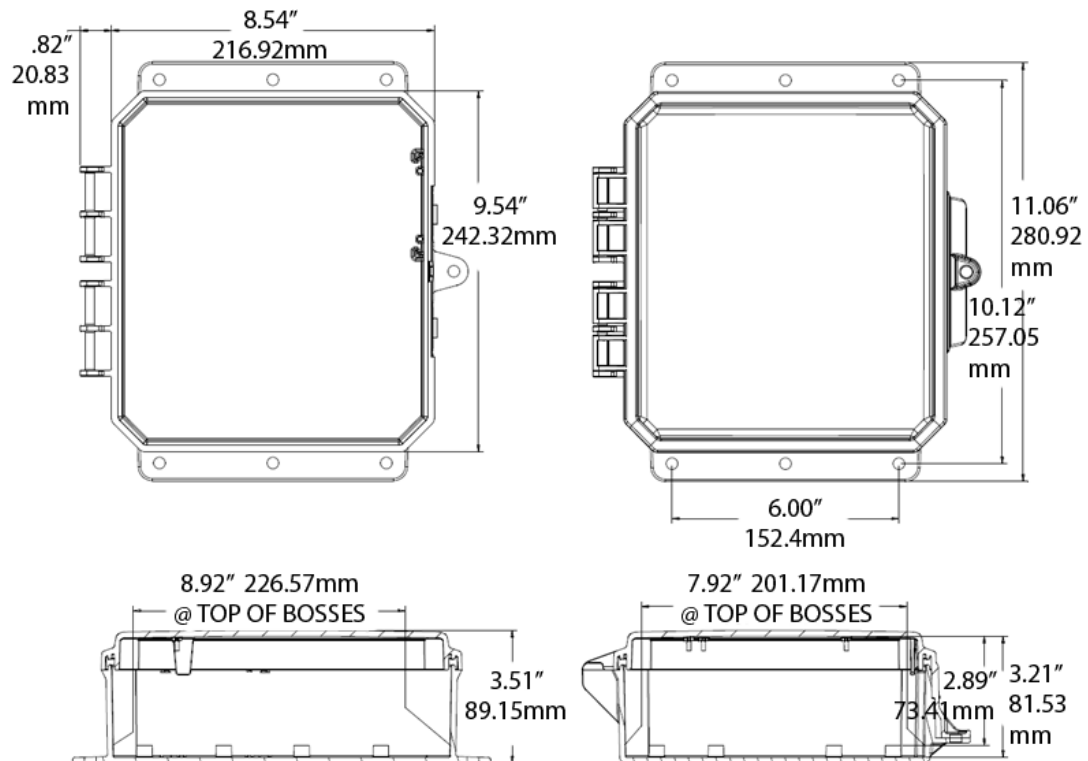
# PRODUCT DATA

## DIMENSIONS

### SERIES 3000 INDOOR ENCLOSURE



### SERIES 3000 OUTDOOR ENCLOSURE



## ORDERING INFORMATION

### Series 3000 Advanced kWh Meter Kits - Indoor Enclosure

**NOTE:** All kits include meter, specified enclosure and Current Transformers (CTs)

| Voltage                  | Amps              | CTs Included | Leviton P/N |
|--------------------------|-------------------|--------------|-------------|
| 120/208V 3PH 4W WYE      | 100               | 3 Split CTs  | 3K208-01D   |
|                          | 200               | 3 Split CTs  | 3K208-02D   |
|                          | 400               | 3 Split CTs  | 3K208-04D   |
|                          | 800               | 3 Split CTs  | 3K208-08D   |
|                          | 1600              | 3 Split CTs  | 3K208-16D   |
|                          | 3000              | 3 Split CTs  | 3K208-30D   |
|                          | 5000              | 3 Split CTs  | 3K208-50D   |
|                          | 100               | 3 SOLID CTs  | 3K208-1SD   |
|                          | 200               | 3 SOLID CTs  | 3K208-2SD   |
| 277/480V 3PH 4W WYE      | 100               | 3 Split CTs  | 3K480-01D   |
|                          | 200               | 3 Split CTs  | 3K480-02D   |
|                          | 400               | 3 Split CTs  | 3K480-04D   |
|                          | 800               | 3 Split CTs  | 3K480-08D   |
|                          | 1600              | 3 Split CTs  | 3K480-12D   |
|                          | 3000              | 3 Split CTs  | 3K480-30D   |
|                          | 5000              | 3 Split CTs  | 3K480-50D   |
|                          | 100               | 3 SOLID CTs  | 3K480-1SD   |
|                          | 200               | 3 SOLID CTs  | 3K480-2SD   |
| 347/600V 3PH 4W WYE      | 100               | 3 Split CTs  | 3K600-01D   |
|                          | 200               | 3 Split CTs  | 3K600-02D   |
|                          | 400               | 3 Split CTs  | 3K600-04D   |
|                          | 800               | 3 Split CTs  | 3K600-08D   |
|                          | 1600              | 3 Split CTs  | 3K600-16W   |
|                          | 3000              | 3 Split CTs  | 3K600-30D   |
|                          | 5000              | 3 Split CTs  | 3K600-50D   |
|                          | 100               | 3 SOLID CTs  | 3K600-1SD   |
|                          | 200               | 3 SOLID CTs  | 3K600-2SD   |
| 208 or 240V 3PH 3W DELTA | 100               | 3 Split CTs  | 3K24D-01D   |
|                          | 200               | 3 Split CTs  | 3K24D-02D   |
|                          | 400               | 3 Split CTs  | 3K24D-04D   |
|                          | 800               | 3 Split CTs  | 3K24D-08D   |
|                          | 1600              | 3 Split CTs  | 3K24D-16D   |
|                          | 3000              | 3 Split CTs  | 3K24D-30D   |
|                          | 5000              | 3 Split CTs  | 3K24D-50D   |
|                          | 480V 3PH 3W DELTA | 100          | 3 Split CTs |
| 200                      |                   | 3 Split CTs  | 3K48D-02D   |
| 400                      |                   | 3 Split CTs  | 3K48D-04D   |
| 800                      |                   | 3 Split CTs  | 3K48D-08D   |
| 1600                     |                   | 3 Split CTs  | 3K48D-12D   |
| 3000                     |                   | 3 Split CTs  | 3K48D-30D   |
| 5000                     |                   | 3 Split CTs  | 3K48D-50D   |

The following products are also part of the Leviton line of integrated metering solutions:

Series 1000 Meters  
 Series 2000 Meters  
 Mini Meters  
 Multiple Meter Units (MMUs)  
 Current Transformers (CTs)  
 Energy Monitoring Software and Hardware

**NOTE:** Individual submeters are available, please consult factory for availability. Individual Current Transformers (CTs) are also available; see the Current Transformer data sheet documentation for part numbers and additional information.

## Series 3000 Advanced kWh Meter Kits - Outdoor Enclosure

| Voltage                  | Amps | CTs Included | Leviton P/N |
|--------------------------|------|--------------|-------------|
| 120/208V 3PH 4W WYE      | 100  | 3 Split CTs  | 30208-01D   |
|                          | 200  | 3 Split CTs  | 30208-02D   |
|                          | 400  | 3 Split CTs  | 30208-04D   |
|                          | 800  | 3 Split CTs  | 30208-08D   |
|                          | 1600 | 3 Split CTs  | 30208-16D   |
|                          | 3000 | 3 Split CTs  | 30208-30D   |
|                          | 5000 | 3 Split CTs  | 30208-50D   |
| 277/480V 3PH 4W WYE      | 100  | 3 Split CTs  | 30480-01D   |
|                          | 200  | 3 Split CTs  | 30480-02D   |
|                          | 400  | 3 Split CTs  | 30480-04D   |
|                          | 800  | 3 Split CTs  | 30480-08D   |
|                          | 1600 | 3 Split CTs  | 30480-12D   |
|                          | 3000 | 3 Split CTs  | 30480-30D   |
|                          | 5000 | 3 Split CTs  | 30480-50D   |
| 347/600V 3PH 4W WYE      | 100  | 3 Split CTs  | 30600-01D   |
|                          | 200  | 3 Split CTs  | 30600-02D   |
|                          | 400  | 3 Split CTs  | 30600-04D   |
|                          | 800  | 3 Split CTs  | 30600-08D   |
|                          | 1600 | 3 Split CTs  | 30600-16D   |
|                          | 3000 | 3 Split CTs  | 30600-30D   |
|                          | 5000 | 3 Split CTs  | 30600-50D   |
| 208 or 240V 3PH 4W DELTA | 100  | 3 Split CTs  | 3024D-01D   |
|                          | 200  | 3 Split CTs  | 3024D-02D   |
|                          | 400  | 3 Split CTs  | 3024D-04D   |
|                          | 800  | 3 Split CTs  | 3024D-08D   |
|                          | 1600 | 3 Split CTs  | 3024D-12D   |
|                          | 3000 | 3 Split CTs  | 3024D-30D   |
|                          | 5000 | 3 Split CTs  | 3024D-50D   |
| 480V 3PH 3W DELTA        | 100  | 3 Split CTs  | 3048D-01D   |
|                          | 200  | 3 Split CTs  | 3048D-02D   |
|                          | 400  | 3 Split CTs  | 3048D-04D   |
|                          | 800  | 3 Split CTs  | 3048D-08D   |
|                          | 1600 | 3 Split CTs  | 3048D-16D   |
|                          | 3000 | 3 Split CTs  | 3048D-30D   |
|                          | 5000 | 3 Split CTs  | 3048D-50D   |

### Leviton Mfg. Co., Inc. Lighting & Energy Solutions

20497 SW Teton Avenue, Portland, OR 97062 1-800-736-6682 Tech Line: 1-800-959-6004 Fax: 503-404-5594 [www.leviton.com/les](http://www.leviton.com/les)  
 © 2012 Leviton Manufacturing Co., Inc. All rights reserved. Subject to change without notice.

**LEVITON SPECIFICATION SUBMITTAL**

|             |                  |
|-------------|------------------|
| JOB NAME:   | CATALOG NUMBERS: |
| JOB NUMBER: |                  |

**Leviton Manufacturing Co., Inc. Lighting & Energy Solutions**

20497 SW Teton Avenue, Portland, OR 97062  
Telephone: 1-800-736-6682 • FAX: 503-404-5594 • Tech Line (6:00AM-4:00PM P.S.T. Monday-Friday): 1-800-959-6004

**Leviton Manufacturing of Canada, Ltd.**

165 Hymus Boulevard, Pointe Claire, Quebec H9R 1E9 • Telephone: 1-800-469-7890 • FAX: 1-800-563-1853

**Leviton S. de R.L. de C.V.**

Lago Tana 43, Mexico DF, Mexico CP 11290 • Tel. (+52) 55-5082-1040 • FAX: (+52) 5386-1797 • [www.leviton.com.mx](http://www.leviton.com.mx)

**Visit our Website at: [www.leviton.com/les](http://www.leviton.com/les)**

© 2012 Leviton Manufacturing Co., Inc. All rights reserved. Subject to change without notice.