



DECORA®
COLLECTION BY LEVITON

TOUCHPOINT™

Single Pole (One location) or
3-Way (Multi-location)
120VAC, 60HZ
**Total minimum load must
exceed 40W or 40VA**

Incandescent

Cat. No. TPI06-1, 600W
(w/brightness level display)

Cat. No. TPI10-1, 1000W
(w/brightness level display)

Magnetic Low-Voltage

Cat. No. TPM06-1, 600VA
(w/brightness level display)

Cat. No. TPM10-1, 1000VA
(w/brightness level display)

For use w/ Cat. No. MS00R-1 Multi-Remote™

INSTALLATION INSTRUCTIONS



PK-92979-10-00-0B

LIMITED 2 YEAR WARRANTY AND EXCLUSIONS

Leviton warrants to the original consumer purchaser and not for the benefit of anyone else that this product at the time of its sale by Leviton is free of defects in materials and workmanship under normal and proper use for two years from the purchase date. Leviton's only obligation is to correct such defects by repair or replacement, at its option, if within such two year period the product is returned prepaid, with proof of purchase date, and a description of the problem to Leviton Manufacturing Co., Inc., Attn: Quality Assurance Department, 59-25 Little Neck Parkway, Little Neck, New York 11362-2591 (In Canada send to Leviton Mfg. of Canada Ltd., 165 Hymus Blvd., Point Claire, Quebec), Canada H9R 1E9). This warranty excludes and there is disclaimed liability for labor for removal of this product or reinstallation. This warranty is void if this product is installed improperly or in an improper environment, overloaded, misused, opened, abused, or altered in any manner, or is not used under normal operating conditions or not in accordance with any labels or instructions. There are no other or implied warranties of any kind, including merchantability and fitness for a particular purpose, but if any implied warranty is required by the applicable jurisdiction, the duration of any such implied warranty, including merchantability and fitness for a particular purpose, is limited to two years. Leviton is not liable for incidental, indirect, special, or consequential damages, including without limitation, damage to, or loss of use of, any equipment, lost sales or profits or delay or failure to perform this warranty obligation. The remedies provided herein are the exclusive remedies under this warranty, whether based on contract, tort or otherwise.

For Technical Assistance Call:
1-800-824-3005 (U.S.A. Only)
1 800 405-5320 (Canada Only)
www.leviton.com



PK-92979-10-00-0B

PK-92979-10-00-0B

1

FEATURES

- Leviton's Decora® Style design
- Soft fade ON/OFF
- ON/OFF LED indicates status of load
- Minimum Brightness Adjustment
- Power interference less than 10 seconds, dimmer remains in existing state
- Brightness Level Display

FCC COMPLIANCE STATEMENT

This device complies with part 15 of the FCC Rules. Operation is subject to the following two conditions: (1) This device must not cause harmful interference, and (2) This device must accept any interference received, including interference that may cause undesired operation.

INSTALLATION INSTRUCTIONS

WARNING: TO BE INSTALLED AND/OR USED IN ACCORDANCE WITH APPROPRIATE ELECTRICAL CODES AND REGULATIONS.

WARNING: IF YOU ARE NOT SURE ABOUT ANY PART OF THESE INSTRUCTIONS, CONSULT A QUALIFIED ELECTRICIAN.

WARNING: TO AVOID OVERHEATING AND POSSIBLE DAMAGE TO THIS DEVICE AND OTHER EQUIPMENT, DO NOT INSTALL TO CONTROL RECEPTACLE, FLUORESCENT LIGHTING, OR A MOTOR - OR TRANSFORMER - OPERATED APPLANCE OTHER THAN APPROPRIATE LOW-VOLTAGE LIGHTING (FOR LOW-VOLTAGE DIMMERS ONLY).

CAUTION (For Incandescent Only): USE WITH INCANDESCENT OR 120V HALOGEN FIXTURES ONLY.

CAUTION (For Magnetic Low-Voltage Only):

1. USE WITH MAGNETIC LOW-VOLTAGE TRANSFORMERS, INCANDESCENT, OR 120V HALOGEN FIXTURES ONLY. USE A LEVITON ELECTRONIC LOW-VOLTAGE DIMMER TO CONTROL ELECTRONIC (SOLID STATE) LOW-VOLTAGE TRANSFORMERS.

2. WHEN A MAGNETIC LOW-VOLTAGE CIRCUIT IS OPERATED AT A DIM LEVEL, WITH ALL LAMPS INOPERATIVE, EXCESS CURRENT MAY FLOW THROUGH THE TRANSFORMER. TO AVOID POSSIBLE TRANSFORMER FAILURE DUE TO OVERCURRENT, USE A TRANSFORMER THAT INCORPORATES THERMAL PROTECTION OR A FUSE AT THE PRIMARY WINDINGS.

OTHER CAUTIONS:

1. FOR 3-WAY APPLICATIONS, USE ONLY ONE (1) DIMMER PER LOAD. FOR REMOTE OPERATION, USE THE LEVITON MULTI-REMOTE™. CAT. NO. MS00R-1. **DO NOT** USE A 3-WAY SWITCH.

2. DISCONNECT POWER WHEN SERVICING FIXTURE OR CHANGING BULBS.

3. USE THIS DEVICE ONLY WITH COPPER OR COPPER CLAD WIRE. WITH ALUMINUM WIRE USE ONLY DEVICES MARKED CO/ALR OR CU/AL.

MULTI-GANG INSTALLATION:

When ganging dimmers, the side sections of the mounting strap must be removed. Use pliers to carefully bend side sections back and forth until they break off (see Figure 1). The side sections dissipate heat, so removing them requires a derating of the dimmer's capacity (see chart).

MAXIMUM BULB WATTAGE (For Magnetic Low-Voltage Only):

Low-voltage dimmers are rated in Volt-Amps (VA). The maximum bulb wattage is determined by the efficiency of the transformer in the low-voltage lighting system. Transformer efficiencies will vary from different manufacturers; consider 75% efficient as average. Use the chart to determine maximum bulb wattage for typical transformer efficiency ratings.

TO INSTALL:

1. **WARNING: TO AVOID FIRE, SHOCK, OR DEATH; TURN OFF POWER AT CIRCUIT BREAKER OR FUSE AND TEST THAT POWER IS OFF BEFORE WIRING!**
2. Remove existing wallplate and switch or dimmer, if applicable.
3. Remove 3/4" (1.9 cm) of insulation from each circuit conductor. Make sure that ends of conductors are straight.
4. Connect lead wires per appropriate WIRING DIAGRAM as follows: **WARNING: CONNECT A MAGNETIC LOW-VOLTAGE DIMMER ONLY TO THE PRIMARY (HIGH-VOLTAGE) SIDE OF A MAGNETIC LOW-VOLTAGE TRANSFORMER.** Twist strands of each lead tightly and, with circuit conductors, push firmly into appropriate wire connector. Screw connectors on clockwise making sure that no bare conductor shows below the wire connectors. Secure each connector with electrical tape.

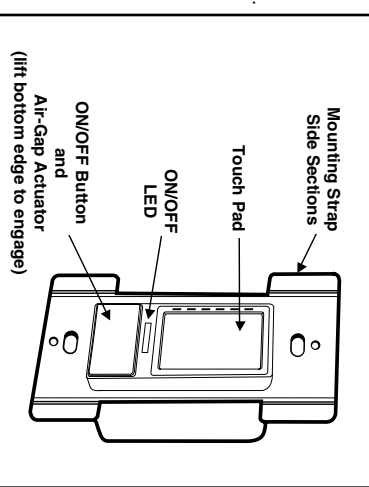
MAXIMUM LOAD PER DIMMER FOR MULTI-GANG

Cat. No.	Single	Two Gang	More than 2 Gang
TPI06-1	600W	500W	400W
TPI10-1	1000W	800W	700W
TPM06-1	600VA	500VA	400VA
TPM10-1	1000VA	800VA	700VA

MAXIMUM BULB WATTAGE AT 75% EFFICIENCY

Rating	Single	Two Gang	More than 2 Gang
600VA	450W	375W	300W
1000VA	750W	600W	525W

Figure 1 - Dimmer Functions



2/10/2000, 10:24 AM

NOTE: For single pole applications, cap YELLOW lead with an appropriate size wire connector. Secure connector with electrical tape.

5. Carefully position all wires to provide room in outlet box for dimmer. Mount dimmer into box with mounting screws supplied.

6. Restore power at circuit breaker or fuse. Turn the dimmer ON by pressing the ON/OFF button or Touch Pad. The GREEN LED will turn OFF to indicate that the dimmer is ON (when the dimmer is OFF, the LED is ON).

NOTE: This model incorporates a trim adjustment which will allow the installer to precisely set the low end of the dimming range to suit each installation. This adjustment is preset at the factory and should require no further adjustments for most installations. If adjustment is required proceed as follows, otherwise continue with step 9:

7. Lift the bottom edge of the ON/OFF button to engage the air-gap switch and disconnect power (See Figure 1). Wait approximately 30 seconds then push in and hold the ON/OFF button until the ON/OFF LED flashes and power is restored.

8. Adjust the desired minimum brightness level with the Touch Pad, then press the ON/OFF button to set the new level. If operation is not satisfactory, repeat step 7.

9. Attach Decora® wallplate (not included). **INSTALLATION IS COMPLETE.**

NOTE: The ON/OFF button can also be used to actuate the air-gap switch. When servicing a controlled fixture, lift the bottom edge of button (OFF position). This will cut the power to the fixture. After servicing is complete, push the button in (ON position) to restore power. The button must be pushed in all the way (ON position) for normal operation.

TO OPERATE:

ON: Press the ON/OFF button. The lights will fade ON at the brightness level last used (LED OFF) or press the Touch Pad to the desired brightness level.

OFF: Press the ON/OFF button. The lights will fade OFF (LED ON).

BRIGHTEN: Press the Touch Pad towards the top of the dimmer to the desired light level.

DIM: Press the Touch Pad towards the bottom of the dimmer to the desired level.

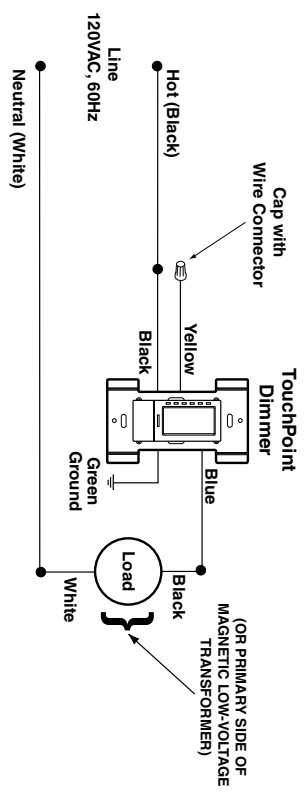
BRIGHTNESS LEVEL DISPLAY:

Indicates the level of brightness when the lights are ON. Indicates the previous level of brightness when the lights are OFF (see Figure 1).

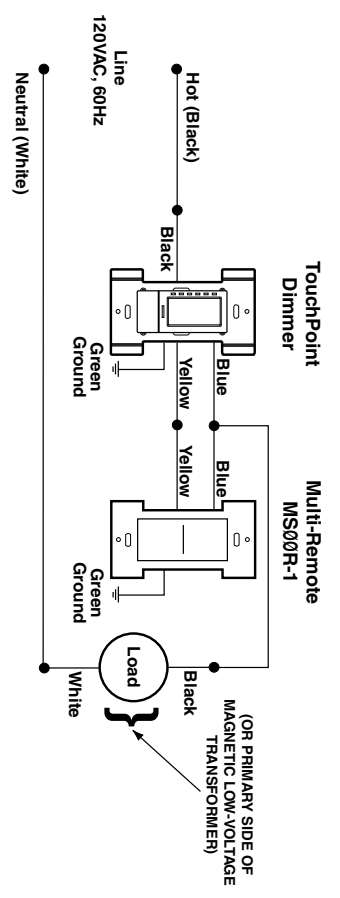
TROUBLESHOOTING

- Light does not turn ON and ON/OFF LED does not turn ON
 - Circuit breaker or fuse has tripped.
 - Lamp is burned out.
 - Air-gap switch is open.
 - Lamp switch, if any, is OFF.
- Dimmer does not operate
 - Dimmer BLACK wire miswired to lamp and Dimmer BLUE wire miswired to LINE Hot.
- Light turns ON and Dimmer works, but Multi-Remote™ does not work
 - There are no connections from Multi-Remote™ to Dimmer.
 - Multi-Remote™ miswired to Dimmer.
- Lights Flickering
 - Lamp has a bad connection.
 - Lamp power is less than 40W or 40VA.

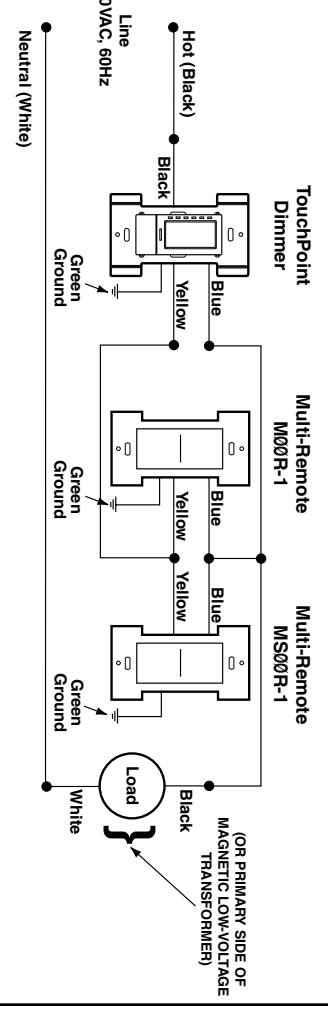
Wiring Diagram 1 - Single Control Application



Wiring Diagram 2 - Two Location Control Application

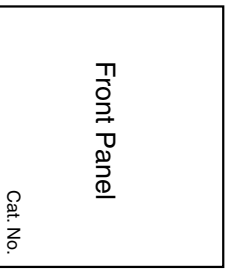
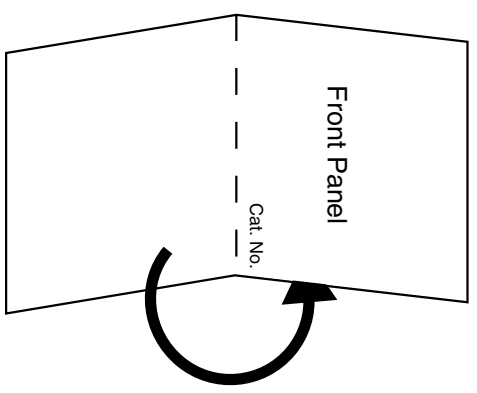
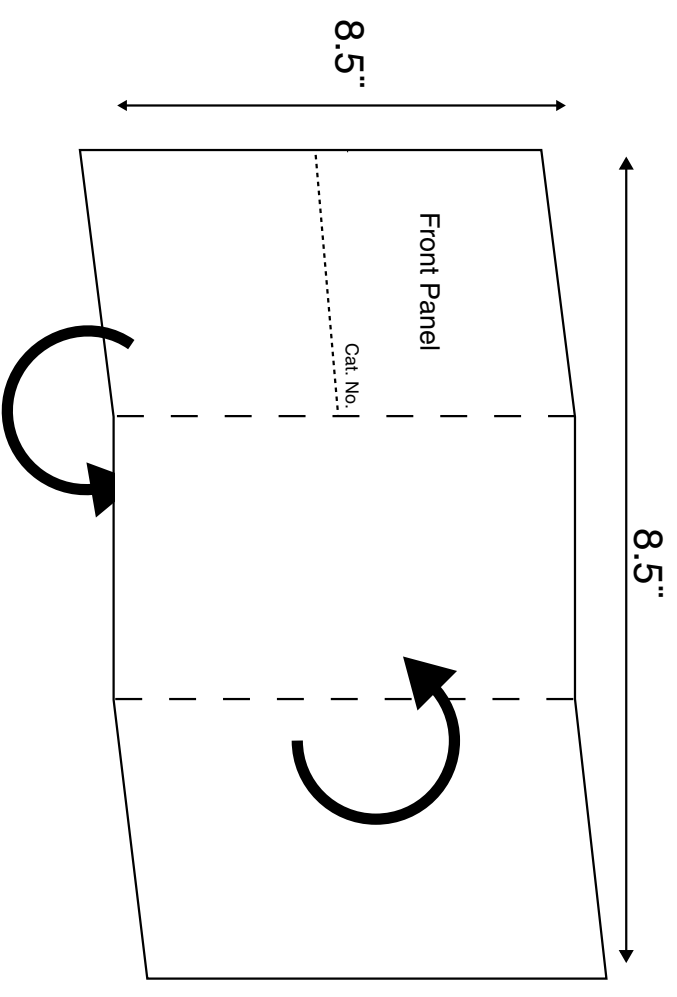


Wiring Diagram 3 - Three Location Control Application





FOLD SCHEME



— — — — — Fold Line
 Panel Line

