

INSTALLATION INSTRUCTIONS

WARNINGS AND CAUTIONS:

- To be installed and/or used in accordance with appropriate electrical codes and regulations.
- If you are unsure about any part of these instructions, consult a qualified electrician.
- Vizia™ electronic timer switches are not compatible with standard 3-way or 4-way switches. They must be used with compatible Vizia™ on/off remotes.
- Recommended minimum wall box depth is 2-1/2".
- To avoid overheating and possible damage to this device and other equipment, do not install to control a receptacle, fluorescent lighting, a motor or a transformer operated appliance.

WARNINGS AND CAUTIONS:

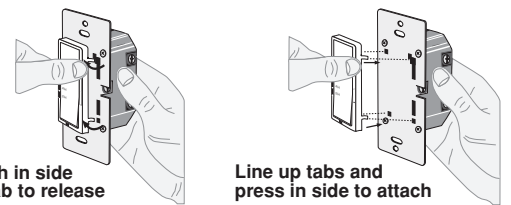
- Use with magnetic low-voltage transformers, incandescent, or 120V halogen fixtures only. Use a Leviton electronic low-voltage dimmer to control electronic (solid state) low-voltage transformers.
- Use only one (1) Vizia™ electronic timer switch in a multi-location circuit with up to 9 coordinating remotes without LEDs or up to 4 matching remotes with LEDs.
- Maximum wire length from timer switch to all installed remotes cannot exceed 300 ft (90 m).
- Disconnect power at circuit breaker or fuse when servicing, installing or removing fixture.
- Use this device only with copper or copper clad wire. With aluminum wire use only devices marked CO/ALR or CU/AL.
- Total minimum load must exceed 40 watts

Tools needed to install your Timer Switch:

- Slotted/Phillips Screwdriver Electrical Tape Pliers
Pencil Cutters Ruler

Changing the color of your Timer Switch:

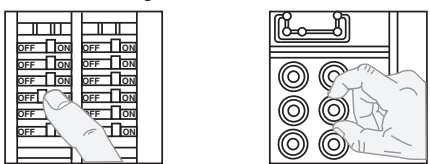
Your timer switch may include three color options. The timer switch ships with the White frame attached. To change color of frame, proceed as follows:



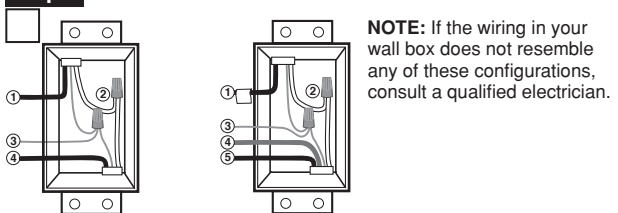
INSTALLING YOUR TIMER SWITCH

NOTE: Use check boxes when Steps are completed.

Step 1 **WARNING: TO AVOID FIRE SHOCK OR DEATH; TURN OFF POWER** at circuit breaker or fuse and test that power is off before wiring!



Step 2 **Identifying your wiring application (most common):**



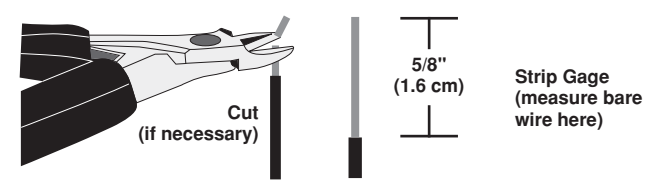
NOTE: If the wiring in your wall box does not resemble any of these configurations, consult a qualified electrician.

- Single Pole**
1. Line (Hot)
 2. Neutral
 3. Ground
 4. Load
- 3-Way**
1. Line or Load (see important instruction below)
 2. Neutral
 3. Ground
 4. First Traveler – note color
 5. Second Traveler – note color. **NOTE:** For matching remote w/LEDs installation, the **First Traveler** becomes Line Hot.

IMPORTANT : For 3-Way applications, note that one of the screw terminals from the old switch being removed will usually be a different color (Black) or labeled Common. Tag that wire with electrical tape and identify as the common (Line or Load) in both the switch wall box and remote wall box.

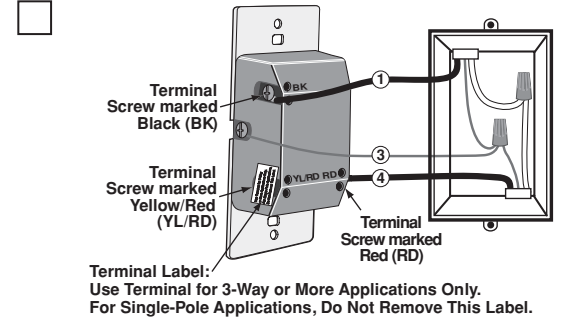
Step 3 **Preparing and connecting wires:**

This timer switch can be wired using side wire terminal screws or through backwire openings. Choose appropriate wire stripping specifications accordingly.

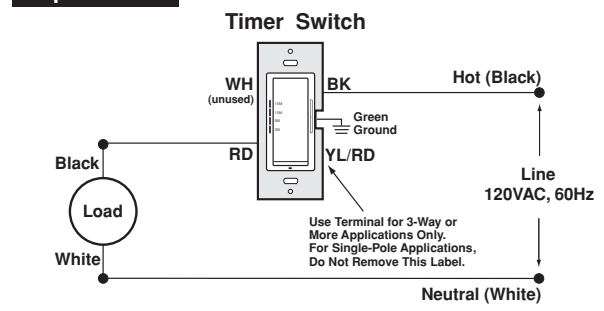


- Make sure that the ends of the wires from the wall box are **straight (cut if necessary)**.
- Remove insulation from each wire in the wall box as shown.
- **For Single-Pole Application, go to Step 4a.**
- **For 3-Way Coordinating Remote (no LEDs) Application, go to Step 4b.**
- **For 3-Way Matching Remote (with LEDs) Application, go to Step 4c.**

Step 4a **Single Pole Wiring Application:**



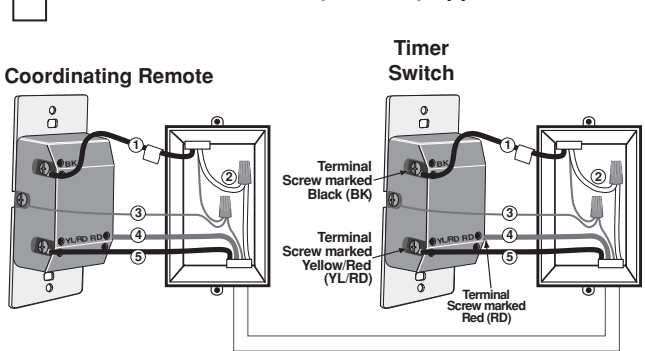
Step 4a cont'd



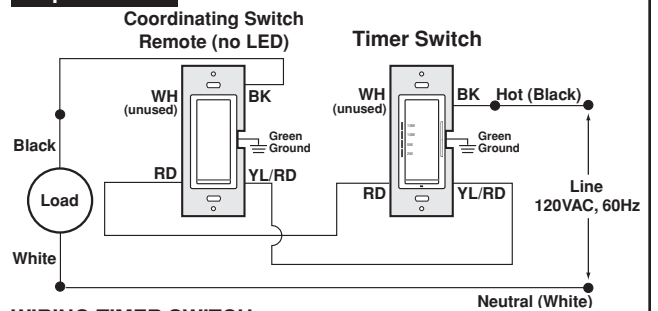
WIRING SWITCH:
Connect wires per WIRING DIAGRAM as follows:

- Green or bare copper wire in wall box to Green terminal screw.
- Line Hot wall box wire to terminal screw marked "BK".
- Load wall box wire to terminal screw marked "RD".
- Timer switch terminal screw marked "YL/RD" should have Red insulation label affixed.
- NOTE:** If insulating label is not affixed to terminal screw marked "YL/RD", use electrical tape to cover.

Step 4b **3-Way Wiring with Coordinating Dimmer/Timer or Switch Remote (no LEDs) Application:**



Step 4b cont'd



WIRING TIMER SWITCH:
Connect wires per WIRING DIAGRAM as follows:

WARNING: FOR MAGNETIC LOW-VOLTAGE APPLICATIONS, CONNECT TIMER SWITCH ONLY TO THE PRIMARY (HIGH-VOLTAGE) SIDE OF A MAGNETIC LOW-VOLTAGE TRANSFORMER.

NOTE: When using the coordinating remote without LEDs, the timer switch can be installed on either the Line or Load side of the 3-way circuit.

- NOTE:** Maximum wire length from timer switch to all installed remotes cannot exceed 300 ft (90 m).
- Green or bare copper wire in wall box to Green terminal screw.
- Line Hot (common) wall box wire identified (tagged) when removing old switch to terminal screw marked "BK".
- First Traveler wall box wire to terminal screw marked "RD" (**note wire color**).
- Remove Red insulating label from terminal screw marked "YL/RD".
- Second Traveler wall box wire to terminal screw marked "YL/RD" (**note wire color**). This traveler from the timer switch must go to the terminal screw on the remote marked "YL/RD".

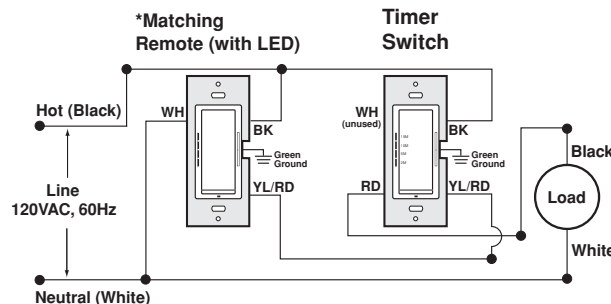
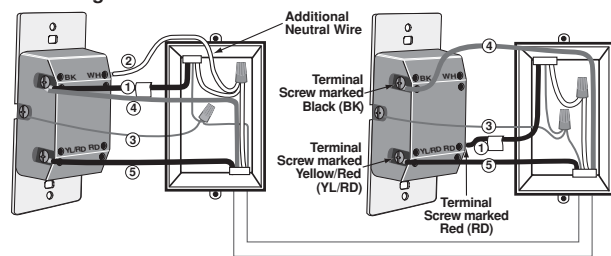
WIRING COORDINATING REMOTE:
Connect wires per WIRING DIAGRAM as follows:

- NOTE:** Maximum wire length from dimmer to last remote is 300ft.
- Green or bare copper wire in wall box to Green terminal screw.
- Load wall box wire identified (tagged) when removing old switch to terminal screw marked "BK".
- First Traveler wall box wire (**note color as above**) to terminal screw marked "RD". This traveler from the remote must go to the timer switch terminal marked "RD".
- Second Traveler wall box wire (**note color as above**) to terminal screw marked "YL/RD". This traveler from the remote must go to the timer switch terminal marked YL/RD.
- Remote terminal screw marked "WH" should have White insulation label affixed.
- NOTE:** If insulating label is not affixed to terminal screw marked "WH", use electrical tape to cover.
- **Proceed to Step 5.**

Step 4c 3-Way Wiring with Matching Switch Remote (w/LED) Application:

*Dimmer/Timer Remote depicted.

*Matching Remote



NOTE: The timer switch **must** be installed in a wall box that has a Load connection. The matching switch remote **must** be installed in a wall box with a Line Hot connection and a Neutral connection. A Neutral wire to the matching switch remote needs to be added as shown.

If you are unsure about any part of these instructions, consult a qualified electrician.

NOTE: Maximum wire length from dimmer to all installed remotes cannot exceed 300 ft (90 m).

WIRING MATCHING REMOTE

(wall box with Line Hot connection):

Connect wires per WIRING DIAGRAM as follows:

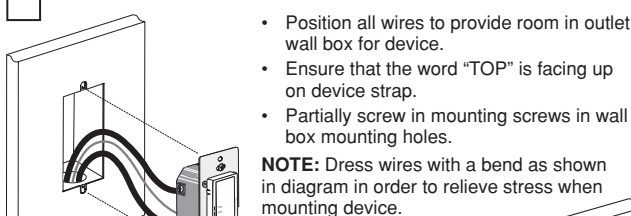
- Green or bare copper wire in wall box to Green terminal screw.
- Line Hot (common) wall box wire identified (tagged) when removing old switch and First Traveler to timer switch terminal screw marked "BK".
- Second Traveler wall box wire from timer switch to remote terminal screw marked "YL/RD" (**note wire color**). This traveler from the remote must go to the terminal screw on the timer switch marked "YL/RD".
- Line Neutral wall box wire to remote terminal screw marked "WH".

WIRING TIMER SWITCH (wall box with Load connection):

Connect wires per WIRING DIAGRAM as follows:

- Green or bare copper wire in wall box to Green terminal screw.
- Load wall box wire identified (tagged) when removing old switch to timer switch terminal screw marked "RD".
- First Traveler Line Hot to timer switch terminal screw marked "BK".
- Remove Red insulating label from terminal screw marked "YL/RD".
- Second Traveler wall box wire (**note color as above**) to timer switch terminal screw marked "YL/RD". This traveler from the timer switch must go to the terminal screw on the remote marked "YL/RD".
- **Proceed to Step 5.**

Step 5 Testing your Timer Switch prior to mounting in wall box:



- Position all wires to provide room in outlet wall box for device.
- Ensure that the word "TOP" is facing up on device strap.
- Partially screw in mounting screws in wall box mounting holes.

NOTE: Dress wires with a bend as shown in diagram in order to relieve stress when mounting device.

- Restore power at circuit breaker or fuse.
- Press pad until locator light is OFF. Lights should turn ON.

If lights do not turn ON, refer to the TROUBLESHOOTING section.

Step 6 Timer Switch Mounting: TURN OFF POWER AT CIRCUIT BREAKER OR FUSE.

Installation may now be completed by tightening mounting screws into wall box. Attach wallplate.

Step 7 Restore Power:

Restore power at circuit breaker or fuse. Installation is complete.

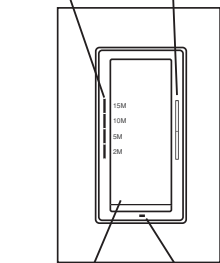
OPERATION

NOTE: The locator light will illuminate when the load is in the OFF position to facilitate access in the dark.

NOTE: If using the timer in a 3-way application, the lights will turn ON at time out on the time out display. The lighting can be controlled from either the timer or the remote location.

LED Time Out Display

Time Out Bar



Push Pad

Locator Light

Push Pad (Default settings) Turn ON from OFF position:

Tap—Load will turn ON to preselected time out setting.

Press and Hold until LED in the time out display extinguishes will override the time out and load will turn ON and remain ON until the push pad is pressed to turn the load OFF.

Turn OFF from ON position:

Tap—Load will turn OFF.

Time out Bar:

From the ON or OFF position

Press upper half of Time Out Bar to increase the time out setting.

Press lower half of Time Out Bar to decrease the selected time out setting.

When load is on press and hold the upper half of the Time Out Bar until the LED time out display extinguishes and overrides the time out feature. The load will remain on until the push pad is pressed or the lower half of the time out bar is pressed.

NOTE: When load is OFF you can change the time out selection the load will turn on to by using the time out bar.

If there is a power outage, when the power is restored the load will return to the last setting before the power interruption.

Cleaning: Clean with a damp cloth. **DO NOT** use chemical cleaners.

ADVANCE PROGRAMMING FEATURES

Mode 1 - Time Out Lock: Set the time out that the load will turn on to regardless of the previous time out level at which they were turned off.

Mode 2 - Selectable Timer: This Timer Switch can be programmed to operate as one of 4 timers. Each LED will represent a different time out default. This mode will change the default time out settings regardless of the shipped default setting.

To Program:

NOTE: Have a flashlight handy if this timer switch controls the only light source in the room.

1. Time Out Lock mode programming:

a. Press and hold the push pad and the upper half of the time out bar until the locator LED flashes and then release.

b. The Time Out Lock can be set to any of 5 time outs. To change the current Time Out Lock, press the upper or lower half of the Time Out Bar to move the LED and select the desired setting. The top LED (LED #1) represents the longest time out, LED 2 represents the subsequent time out, etc. in descending order.

c. Press the push pad to exit this programming mode. This setting will automatically be saved upon exit.

Mode 1: Time Out Lock Setting Chart

LED #	12H timer	60M timer	30M timer	15M timer
1 (Top)	12 hours	60 minutes	30 minutes	15 minutes
2	8 hours	30 minutes	15 minutes	10 minutes
3	4 hours	20 minutes	10 minutes	5 minutes
4	2 hours	10 minutes	5 minutes	2 minutes
No LEDs	No time lock	No time lock	No time lock	No time lock

2. Select Timer programming:

a. Press and hold the push pad and the lower half of the time out bar until the locator LED and Time Out LED both flash and then release.

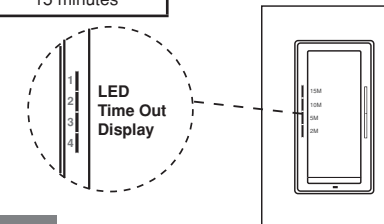
b. The Timer can be set to any of 4 Timers. To change the current Timer, press the upper or lower half of the Time Out Bar to move the LED and select the desired timer; the top LED (LED #1) represents the longest timer option (12 hours), LED 2 represents the subsequent timer (60 minutes), LED 3 represents the 30 minute timer, and LED 4 represents the 15 minute timer.

c. Press the push pad to exit this programming mode. This setting will automatically be saved upon exit.

The LED Time Out Display is separated into 4 segments. Each LED represents a preset level with LED 1 (Preset 1) located at the top and LED 4 (Preset 4) located at the bottom. Refer to chart for settings and defaults.

Note: After 3 minutes of inactivity the device will exit programming mode automatically.

Mode 2 Selectable Timer Setting	
LED #1	12 hour
LED #2	60 minutes
LED #3	30 minutes
LED #4	15 minutes



TROUBLESHOOTING

• Lights Flickering

- Lamp has a bad connection.
- Wires not secured firmly under terminal screws of switch and/or remote.

• Light does not turn ON and Locator LED does not turn ON

- Circuit breaker or fuse has tripped.
- Lamp is burned out.
- Lamp Neutral connection is not wired.

• Intermittent operation

- Minimum load is under 40W.

• Remote does not operate lights

- Ensure that total wire length does not exceed 300 ft (90 m).

For additional information, contact Leviton's Techline at 1-800-824-3005 or visit Leviton's website at www.leviton.com

U.S. & Foreign Patents Pending
Copyright© 2007 Leviton Manufacturing Co., Inc.
All Rights Including Trade Dress Rights Reserved

FCC COMPLIANCE STATEMENT

This equipment has been tested and found to comply with the limits for a Class B Digital Device, pursuant to Part 15 of the FCC Rules. These limits are designed to provide reasonable protection against harmful interference in a residential installation. This equipment generates, uses, and can radiate radio frequency energy and, if not installed and used in accordance with the instructions, may cause harmful interference to radio communications. However, there is no guarantee that interference will not occur in a particular installation. If this equipment does cause harmful interference to radio or television reception, which can be determined by turning the equipment OFF and ON, the user is encouraged to try to correct the interference by one or more of the following measures:

- Reorient or relocate the receiving Antenna.
- Increase the separation between the equipment and the receiver.
- Connect the equipment into an outlet on a circuit different from that to which the receiver is connected.
- Consult the dealer or an experienced radio/tv technician for help.

PK-93435-10-00-2A-X1-BETA

LIMITED 5 YEAR WARRANTY AND EXCLUSIONS

Leviton warrants to the original consumer purchaser and not for the benefit of anyone else that this product at the time of its sale by Leviton is free of defects in materials and workmanship under normal and proper use for five years from the purchase date. Leviton's only obligation is to correct such defects by repair or replacement, at its option, if within such five year period the product is returned prepaid, with proof of purchase date, and a description of the problem to **Leviton Manufacturing Co., Inc., Attn: Quality Assurance Department, 59-25 Little Neck Parkway, Little Neck, New York 11362-2591**. This warranty excludes and there is disclaimed liability for labor for removal of this product or reinstallation. This warranty is void if this product is installed improperly or in an improper environment, overloaded, misused, opened, abused, or altered in any manner, or is not used under normal operating conditions or not in accordance with any labels or instructions. **There are no other or implied warranties of any kind, including merchantability and fitness for a particular purpose**, but if any implied warranty is required by the applicable jurisdiction, the duration of any such implied warranty, including merchantability and fitness for a particular purpose, is limited to five years. **Leviton is not liable for incidental, indirect, special, or consequential damages, including without limitation, damage to, or loss of use of, any equipment, lost sales or profits or delay or failure to perform this warranty obligation.** The remedies provided herein are the exclusive remedies under this warranty, whether based on contract, tort or otherwise.

LEVITON INSTRUCTION SHEET/MANUAL SPECIFICATIONS

- Artwork No/Rev Level: PK-93435-10-00-2A-X1-BETA
- Color(s): 1 over 1
 - 1. Black 2. _____
 - 3. _____ 4. _____
- Font Families: Helvetica
- Material
 - Type: 40 Lb. offset
- Coating: _____
- Paper size:
 - Overall size: 14" X 8.5"
 - Final fold size: 2.3" X 4.25"

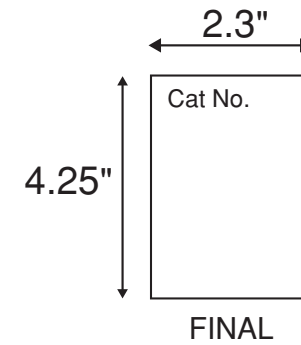
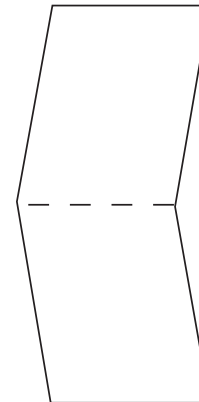
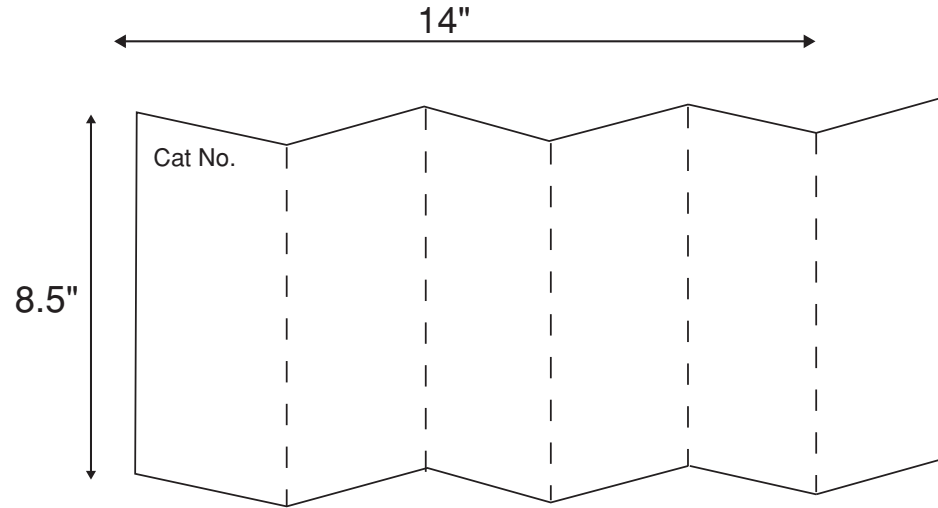
DOCUMENTATION

- ECO No.: N/A
- Artist: HSZ Date: 03/23/07

The information in this document is the exclusive PROPRIETARY property of LEVITON MANUFACTURING COMPANY, INC. It is disclosed with the understanding that acceptance or review by the recipient constitutes an undertaking by the recipient. (1) to hold this information in strict confidence, and (2) not to disclose, duplicate, copy, modify, or use the information for any purpose other than that for which disclosed.

Copyright © 1997 Leviton Mfg. Co. Inc.
Unpublished, All Rights Reserved

FOLD SCHEME



— — — — — Fold Line