



MINIZ USER'S GUIDE

REMOTE NETWORKING ADDENDUM

Daylight Harvesting Made Simple.

This user's guide applies to the following part numbers:

Model Number	Description	0-10V Outputs	Relay Outputs
mZn22-102	Network Remote, Dimmed, Two Room, 120V or 277V	2	2
mZn20-102	Network Remote, Dimmed Version, 2 Zone, 2 Relay, 120V or 277V	2	2
mZn30-101	Network Remote, Dimmed Version, 3 Zone, 1 Relay, 120V or 277V	3	1
mZn22-C02	Network Remote, Dimmed, Two Room, 347V	2	2
mZn20-C02	Network Remote, Dimmed Version, 2 Zone, 2 Relay, 347V	2	2
mZn30-C01	Network Remote, Dimmed Version, 3 Zone, 1 Relay, 347V	3	1

Features between models vary. As such, not all information in this manual applies to all models.

NOTES

TABLE OF CONTENTS

STEP 1	DESCRIPTION OF APPLICATION.....	2
STEP 2	CABLE WIRING & JUMPERS.....	4
STEP 3	CONFIGURATION DIP SWITCH SETTINGS – NETWORK.....	5
STEP 4	NOTES: Z-MAX CONFIGURATION.....	6
STEP 5	NOTES: MINIZ OPERATION.....	7

DESCRIPTION OF APPLICATION

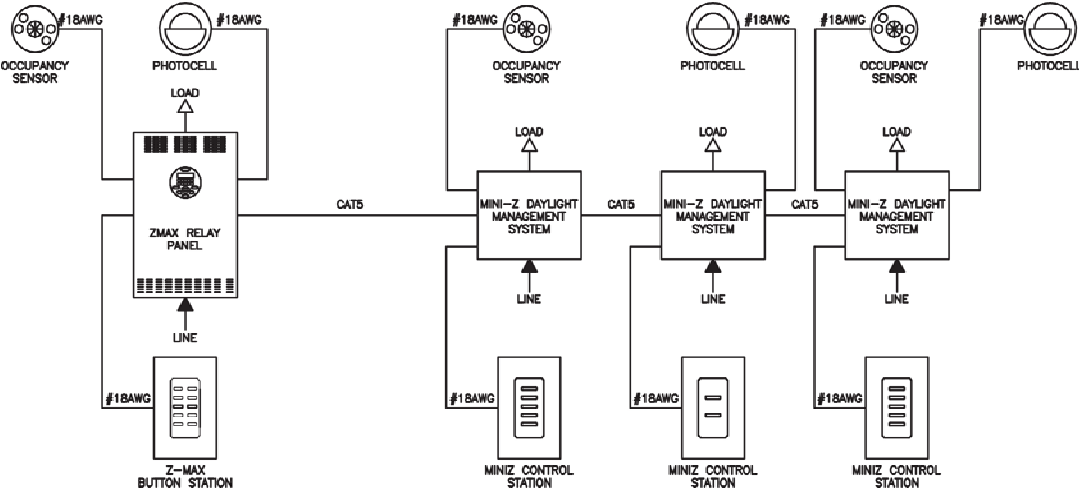
This Addendum is a supplement to the regular miniZ Users' Guide which is enclosed with every miniZ shipped. The miniZ Users' Guide covers all non-network installation procedures and settings for the Remote Networking miniZ. The Remote Networking Addendum covers only the installation procedures and settings specifically for these products.

The Remote Networking miniZ is intended for use as a slave relay, daylight harvesting controller to a master Z-MAX Relay Panel. The Z-MAX Relay Panel can control all scheduled events of the miniZ Remote Network controller. In addition, it can be configured to operate with the wall station controls and/or occupancy sensors either directly connected to the Z-MAX Master or to the miniZ Remote. In all cases, the photocell needs to be connected directly to the miniZ Remote.

Communications are handled over a LumaNET bus cabling with Cat-3 or Cat-5, 8-wire cable per the installation guide of the Z-MAX Master Relay Panel.

The following is an example of a one-line diagram for a typical application. This illustrates how the Remote Networking miniZ is used with a Z-MAX Master Relay Panel.

The following is an example of a one-line diagram for a typical application. This illustrates how the Remote Networking miniZ is used with a Z-MAX Master Relay Panel.



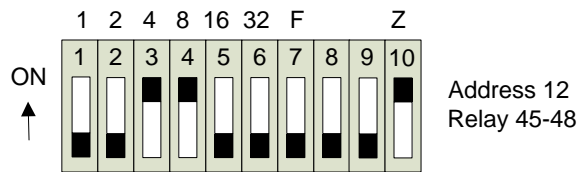
CABLE WIRING & JUMPERS

- Run at least one Cat-3 or Cat-5 8-wire cable to either Modular-Jack (RJ-45).
- If only one cable is present, jumper JP2 (on left side) should be on both pins (e.g., closed).
- If two cables are present, jumper JP2 should be open (on one pin only).
- JP4 ('Shield') should be open (on one pin only).

JP3 ROUTES POWER:

- If both jumpers are open (on one pin only), no power connections are present.
- If a jumper is on the center two pins, the two cables are connected and the miniZ is not.
- If a jumper is on the left two pins, the miniZ sends power to the left cable.
- If a jumper is on the right two pins, the miniZ sends power to the right cable.
- Do not have any cable powered by more than a single device.

DIP SWITCH SETTINGS



Z = ZMSP (must be one for networking)

F = see miniZ operation on page 7

1-32 = Add to get slave address

1st relay number is Address x 4-3

3-zone units have only the 1st relay

2-channel & 2-room have 1st & 2nd relays

Z-MAX CONFIGURATION

Each miniZ is allocated 4 relay numbers and 4 discrete numbers.

Given a slave address, the first relay/discrete number is Slave-Address x 4 – 3.

In the Dip Switch example, a miniZ is at "Address 12". The 1st relay/discrete is 45.

The 1st/only switchbox is at the same address as the 1st relay.

Except in 3-zone units, the 2nd switchbox and the 2nd relay use the second relay/discrete number.

In 1-room units, the Occupancy Sensor is the 3rd discrete and the Photocell Sensor is the 4th discrete.

In 2-room units, the 1st Occupancy Sensor is at the 3rd discrete and the 2nd is at the 4th.

MINIZ OPERATION

If DIP switch 'F' (#7) is on, all switchbox and occupancy events are sent to the Z-MAX master and not processed by the miniZ.

If DIP switch 'F' (#7) is off, the miniZ will process the switchbox and occupancy events (including Dim, Bright, and Max from 5-button stations). These events are also sent to the Z-MAX master.

Note: The miniZ always uses the Photocell – so daylighting will operate normally in either setting.

Leviton Lighting Management Systems
Division Headquarters
20497 SW Teton, Tualatin, Oregon
97062

Customer Service – (800) 736-6682
Facsimile – (503) 404-5600
Technical Support – (800) 959-6004

P/N PK-93453-10-00-0A