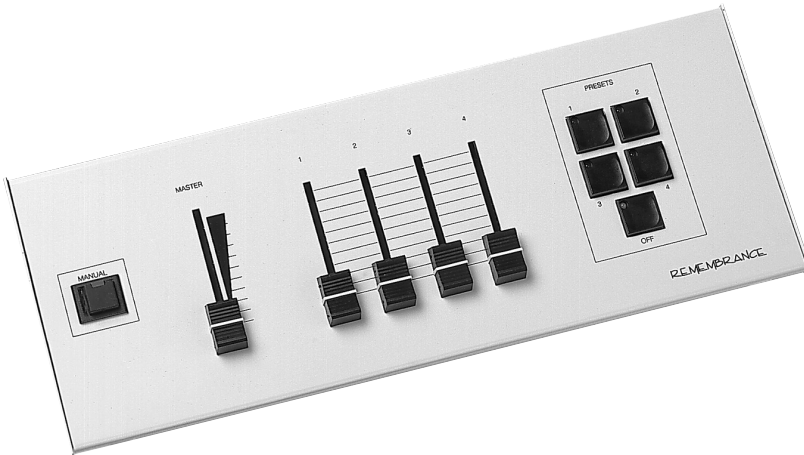
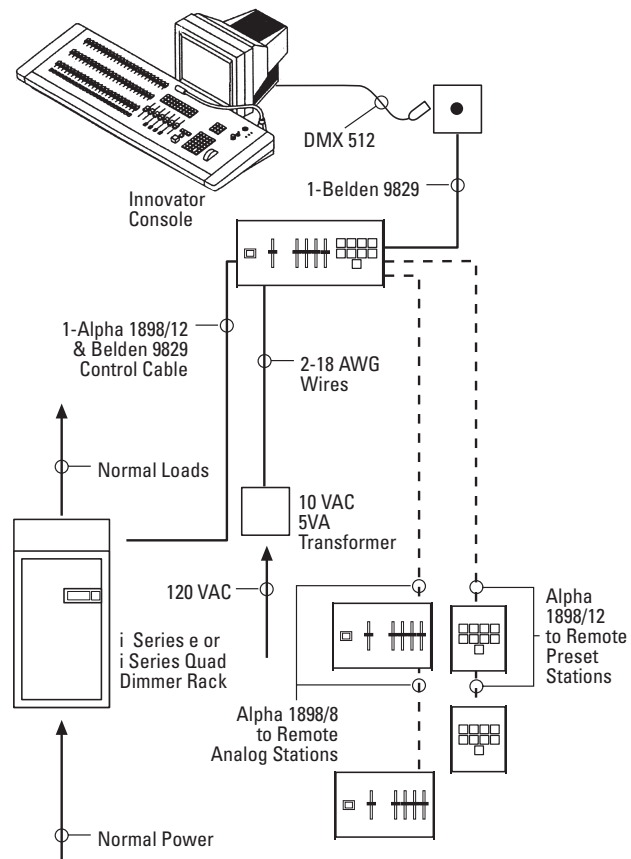


Remembrance DMX512



FEATURES

- Local creation of new presets with the integral scene master set up/preset storage control feature
- Direct Manual or preset recall control allows for an infinite selection of different lighting looks
- Simple, powerful local preset storage and recall of 4 or 8 scenes with programmable fade times when used with an i Series e or i Series Quad dimmer rack
- Virtually limitless DIMMER channel capacity
- Multiple stations may be installed allowing control from several locations
- Control stations can act independently of each other, together or as a group
- Take control feature
- Selectable emergency power up mode feature - Preset 1 active or all off active when power is applied to control station
- Selectable multiple record mode lockout
- Discrete digital control of 4 or 8 presets and/or multiple overlapping submaster scenes
- Direct integration capability with Remembrance Analog and Digital Control Stations and i Series e control electronics



DIMENSIONAL DATA - IN. [CM]

	Width	Depth	Height
4 Channel 4 Preset	12.000 [30.48]	3.25 [8.26]	4.50 [11.43]
4 Channel 8 Preset	15.625 [39.69]	3.25 [8.26]	4.50 [11.43]
8 Channel 8 Preset	15.625 [39.69]	3.25 [8.26]	4.50 [11.43]

Remembrance DMX512 Digital Preset Control Station

PRODUCT DATA



MECHANICAL

- The control faceplate shall be constructed of formed steel painted white.
- Silkscreen legends on faceplate shall be black. Preset and Manual selection buttons shall be black with green LED indicators. Off preset button shall contain a bi-colored LED for indicating various operating modes. Channel sliders shall have graduated silkscreen scales fitted with professional grade fader knobs.
- The 4 slider with master control station and presets is 12" wide by 4-1/2" tall. The station mounts in a NEMA 6 gang 3-12/" deep back box. Contact the factory for recommended back box suppliers.
- The 8 slider with master control station and presets is 15-5/8" wide by 4-12/" tall. The station mounts in a NEMA 8 gang 3-1/2" deep back box. Contact the factory for recommended back box suppliers.

ELECTRICAL

- **Push buttons.** Control station shall contain 4 or 8 preset buttons with an integral green LED, and a separate OFF button with an integral bi-colored LED. Manual push button shall be distinctively different to distinguish between manual and preset modes. Control Stations can be wired to act independently of each other, or together as a group.
- **Slide Controllers.** Control stations shall contain 4 or 8 slider channels with a master. All potentiometers shall have at least a 2" travel and shall be capable of providing live, instantaneous control of the associated dimmers. The channel fader shall have the capacity of operating as an overlapping submaster for all dimmers within the control system. Channel sliders must be configured by a DMX512 control source.
- **Wiring.** The control station requires power from a 10VAC @ 5V A transformer. The control station requires a DMX512 control signal into the station. The 4 preset control station wiring requires an Alpha 1898/8 or equivalent and a Belden 9829 or equivalent connected between the i Series e or i Series Quad dimmer racks and the control station. The 8 preset control

station wiring requires an Alpha 1898/12 or equivalent and a Belden 9829 or equivalent connected between the i Series e or the i Series Quad dimmer racks and the control station.

OPERATIONAL

- **Recall.** The Control Station shall have the ability to activate a timed preset, manually mix a scene, or enable both simultaneously at the press of a single button. The corresponding LED on the button will illuminate.
- **Slider Record.** Sliders shall be configured by capturing the DMX512 control signal into the unit. When enabled, the capture sequence is activated by pressing and holding the manual button in the ON mode with all sliders down for at least five seconds, then sliding up the master and channel slider up where the scene is to be stored. The manual button must be pressed throughout the record sequence and held for an additional 3 seconds after the sliders have been raised. Slider record mode may be de-activated independently of the preset record mode. When active, slider scenes pile onto or generate a DMX512 signal. Slider scenes are stored in non-volatile memory.
- **Preset Record.** When connected to an i Series e or i Series Quad, the control station shall have the ability to store active DMX scene simply by pressing and holding the OFF button until the active scene lighting levels dip by 50%, and then while still holding the OFF button, pressing the preset button where the scene is to be stored. Preset record may be de-activated independently of slider record mode. Presets shall be stored in non-volatile memory.
- **Capacity.** The control station shall have the ability to control a virtually limitless number of dimmer channels when used in conjunction with i Series e or i Series Quad, or Remembrance Control Stations.
- **Record Lockout.** The control station can be configured to disable slider record mode, preset record mode, or both simultaneously.
- **Power Up State.** The control station can be configured to active Preset 1 on power up, or activate OFF on power up.

CAT. NO.	DESCRIPTION
RMB81-104	Remembrance DMX Station, Master and 4 Sliders, wall mount, 4 gang
RMB81-106	Remembrance DMX Station, Master and 6 Sliders, wall mount, 5 gang
RMB81-112	Remembrance DMX Station, Master and 12 Sliders, wall mount, 8 gang
RMB81-144	Remembrance DMX Station, Master, 4 Sliders and 4 Presets, wall mount, for I Series e & Quad, 6 gang
RMB81-148	Remembrance DMX Station, Master, 4 Sliders and 8 Presets, wall mount, for I Series e & Quad, 6 gang
RMB81-188	Remembrance DMX Station, Master, 8 Sliders and 8 Presets, wall mount, for I Series e & Quad, 8 gang
RMB81-204	Remembrance DMX Station, Master and 4 Sliders, portable
RMB81-206	Remembrance DMX Station, Master and 6 Sliders, portable
RMB81-212	Remembrance DMX Station, Master and 12 Sliders, portable

LEVITON SPECIFICATION SUBMITTAL	
JOB NAME:	CATALOG NUMBERS:
JOB NUMBER:	

Leviton Manufacturing Co., Inc. Lighting Management Systems

20497 SW Teton Avenue, Portland, OR 97062
 Telephone: 1-800-736-6682 • FAX: 503-404-5594 • Tech Line (6:00AM-4:00PM P.S.T. Monday-Friday): 1-800-959-6004

Leviton Manufacturing of Canada, Ltd.

165 Hymus Boulevard, Pointe Claire, Quebec H9R 1E9 • Telephone: 1-800-469-7890 • FAX: 1-800-563-1853

Leviton S. de R.L. de C.V.

Lago Tana 43, Mexico DF, Mexico CP 11290 • Tel. (+52) 55-5082-1040 • FAX: (+52) 5386-1797 • www.leviton.com.mx

Visit our Website at: www.leviton.com/lms