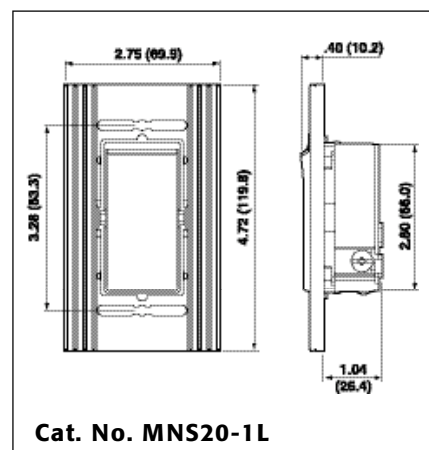
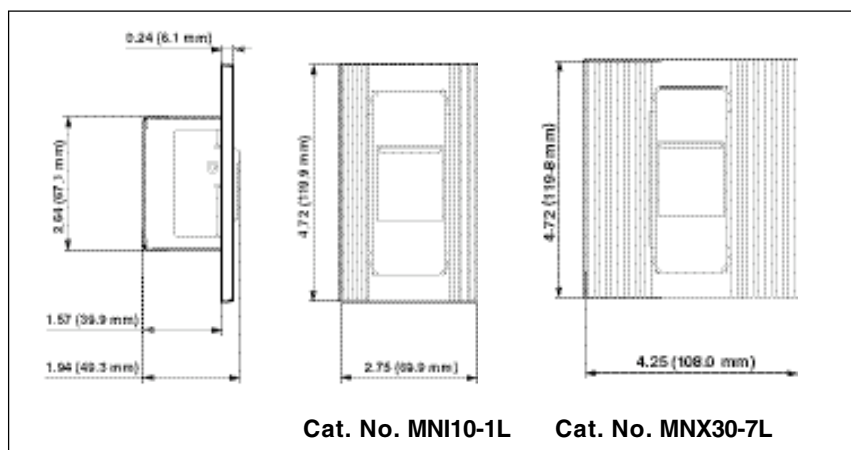


Monet™ Lighting and Fan Speed Controls



Application

Leviton's Monet™ line of premier Architectural Specification Grade Multi-Location Lighting and Fan Speed Controls is ideal for lighting designers and specifiers who require low-profile architectural controls with advanced features. Monet's all-digital circuitry provides precise slide-control, full-range dimming and preset ON/OFF switching for incandescent, electronic and magnetic low-voltage, and fluorescent lighting. Monet single-pole, 3-way and 4-way switches are also available.



Features

- UL Listed (File #E-31373)
- CSA Certified (File #LR-3413)
- Provides subdued look that will not distract attention away from paintings or museum and showroom displays.
- Subtle lines of cover plate and concave slider minimize shadows. Non-reflective, easy-to-clean matte finish minimizes light reflections.
- Low-profile architectural fins, even on large fin models provide a flush fit that blends into the wall surface.
- Soft, green locator light discretely positioned on slider illuminates when load is OFF on most models.
- Smooth, easy slider operation designed for precise adjustment of lighting level.
- Preset switch doesn't detract from clean line of dimmer. Push gently on slider for Preset ON/OFF operation.
- Hidden air-gap switch; slider moves down into hidden keyway to provide AC air-gap switch for servicing needs.
- Digital circuitry provides SOFT-ON/FADE-OFF operation for an eye-pleasing effect and prolonged lamp life.
- Square Law Dimming ensures linear slide control across the entire dim and bright output range.
- Provides single-pole and 3-way control when used with a 3-way ON/OFF switching remote (Cat. No. MN00R-D0W).
- Monet single-pole incandescent dimmers and single-pole, 3-way and 4-way switches are available.
- Protected memory during temporary power failures ensures that Monet will retain last setting before power interruption.
- Screwless, designer-style architectural wallplate with matte finish included. Multi-gang wallplates also available for combining narrow and wide dimmers, with or without fins removed.
- Customized wallplate engraving available.
- Small and large-size adapter plates (Cat. Nos. MNOSA and MNOLA) fit all Leviton strap-mount Decora devices to make them compatible with Monet wallplates.
- Large radio/TV interference filter.
- Use Leviton Power Extenders to extend the load capacity of box-mounted dimmers. Leviton Power Extenders are available for incandescent, magnetic low-voltage, electronic low-voltage, Advance Mark 10™ *Powerline* fluorescent dimming ballasts or equivalents, and 0–10 VDC dimmable fluorescent ballasts such as Advance Mark 7™ 0-10V, OSRAM Sylvania Quicktronic® Helios™ or equivalents.

Standards Specifications

Architectural Specification Grade Dimmer shall be UL Listed Leviton Architectural Specification Grade Multi-Location Preset Dimmer with Limited Two-Year Warranty, low-profile architectural fin design, smooth, easy slider operation and preset switch. Device shall provide digital circuitry for SOFT-ON/FADE-OFF operation, green locator light and screwless, designer-style architectural wallplate with non-reflective matte finish. Available in ratings and colors as scheduled on plan.

Performance Specifications

Electrical

- Input 120 VAC @ 60Hz, 277 VAC @ 60Hz
- Line voltage regulation
- RFI noise suppression
- Maximum load – 120V Incandescent: 1500W stand alone, 2000W with the use of a power extender. 120V Magnetic low-voltage and Mark 10™ *Powerline* fluorescent: 1500VA stand alone, 2000VA with the use of a power extender. 277V Mark 10™ *Powerline* fluorescent: 3000VA stand alone. 120V Ceiling fans: 10 Amps stand alone.

Performance Specifications *(continued)*

Mechanical

- Dimmer control – slide with a travel of 20mm
- Push On/Off switch control
- Single-Pole Incandescent Dimmer: Two-wire device with ground wire
- Single-pole, 3-Way and 4-Way Switches: Terminals identified in accordance with UL 498 (brass, white & green) accept up to #10 AWG copper and copper-clad wire
- The LED will be lighted when the load is off (lighted models only)
- Hidden air-gap switch provided for fixture/lamp servicing

Environmental

- Operating temp. 0° Celsius to 55° Celsius
- Non-operating temp. -10° Celsius to + 85° Celsius
- Relative humidity, non-condensing 20% to 90%

Ordering Information

Monet Devices

Cat. No.	Rating	Description
MNI06-10	600W, 120 VAC	Narrow-fin incandescent dimmer. Single-pole only, unlighted.
MNI10-10	1000W, 120 VAC	Narrow-fin incandescent dimmer. Single-pole only, unlighted.
MNS20-1L	20A - 120 VAC	Single-pole rocker switch with screw terminals, lighted.
MNS20-D3	20A - 120/277 VAC	3-Way rocker switch with screw terminals, unlighted.
MNS20-D4	20A - 120/277 VAC	4-Way rocker switch with screw terminals, unlighted.

Available in White (-W), Ivory (-I), Almond (-A), Gray (-G) and Black (-E).

Multi-gang wallplates available for combining narrow and wide dimmers, with or without fins removed (MNW Series).

Product Specifications

Monet

Mark 10™ 0-10V

Ordering Information (continued)

Monet Controls

Cat. No.	Rating	Description
MNI06-1L	600W, 120 VAC	Narrow-fin incandescent dimmer, lighted
MNI10-1L	1000W, 120 VAC	Narrow-fin incandescent dimmer, lighted
MNI15-1L	1500W, 120 VAC	Wide-fin incandescent dimmer, lighted
MNE04-1L	400VA (300W), 120 VAC	Narrow-fin electronic low-voltage dimmer, lighted
MNM06-1L	600VA (450W), 120 VAC	Narrow-fin magnetic low-voltage dimmer, lighted
MNM10-1L	1000VA (750W), 120 VAC	Narrow-fin magnetic low-voltage dimmer, lighted
MNM15-1L	1500VA (1125W), 120 VAC	Wide-fin magnetic low-voltage dimmer, lighted
MNX10-1L	1000VA (750W), 120 VAC	Narrow-fin dimmer for 120V Advance Mark 10™ Powerline fluorescent dimming ballast
MNX15-1L	1500VA (1125W), 120 VAC	Wide-fin dimmer for 120V Advance Mark 10™ Powerline fluorescent dimming ballast, lighted
MNX20-7L	2000VA (1500W), 277 VAC	Narrow-fin dimmer for 277V Advance Mark 10™ Powerline fluorescent dimming ballast, lighted
MNX30-7L	3000VA (2250W), 277 VAC	Wide-fin dimmer for 277V Advance Mark 10™ Powerline fluorescent dimming ballast, lighted
MNF07-1L	7.5A 120 VAC	Narrow-fin fan speed control, lighted
MNF10-1L	10A 120 VAC	Wide-fin fan speed control, lighted
MN0OR-DOW	No load rating-for use with 120 and 277 VAC Monet Scene-Capable Controls only	Remote non-dimming switching unit for 3-way applications, unlighted. Available in White only; use color change kits for other colors
MNKOR-00	—	Color Change Kits for MN0OR-DOW Remote 3-way switching unit. Available in White (-W), Ivory (-I), Almond (-A), Gray (-G) and Black (-E)
MNOSA-000	Small Decora Adapter Plate	For any Decora strap-mount device
MNOLA-000	Large Decora Adapter Plate	For any Decora strap-mount device

Available in White (-W) MN Kit.

Multi-gang wallplates available for combining narrow and wide dimmers, with or without fins removed (MNW Series).

NOTE: Mark 10™ Powerline is a trademark of the Advance Transformer Company.

CAUTION ON RETROFITS: When retrofitting Mark 10™ Powerline dimming ballasts into fixtures that originally had Instant Start ballasts, the sockets MUST be replaced with Rapid Start sockets in order to allow proper dimmer operation and prevent damage to the dimming ballast. Refer to the instructions provided with the ballast and the Leviton Mark 10™ Powerline dimmer.



Leviton Mfg. Co., Inc.
59-25 Little Neck Pkwy • Little Neck, NY 11362-2591 • Tech Line: 1-800-824-3005 • Fax: 1-800-832-9538

Visit our Website at: www.leviton.com

© 2004 Leviton Manufacturing Co., Inc. All Rights Reserved



G-6837/A4-10M sw

A-4